

LED pool light Remote Control

OWNER'S MANUAL



RCP-1500

**Controls Pool Lights
and 2 auxiliary circuits**


Table of contents

Technical specifications	Page 3
Box contents	Page 4
Installation instructions	Page 5-6
Pairing Handheld Transmitter & controller	Page 7
Handheld transmitter functions	Page 8
Replacing transmitter battery	Page 8
Troubleshooting	Page 9



Technical specifications

Electrical specifications

Nominal Input voltage	230 VAC 50 Hz
Max rating Relay Contacts "Color&Light", "A" and "B"	
Resistive Load	14A 250VAC 14A 30VDC
Inductive Load	6A 250VAC 6A 30VDC
Frequency band transmitter	868 MHz
IEC Protection Class	Class II 

General specifications Controller

Ambient air temperature	0°C ... +40°C
Humidity	10% ... 90% RH non condensing
Dimensions	150x157x51 mm
Weight	500 g
Ingress protection rate	IP54

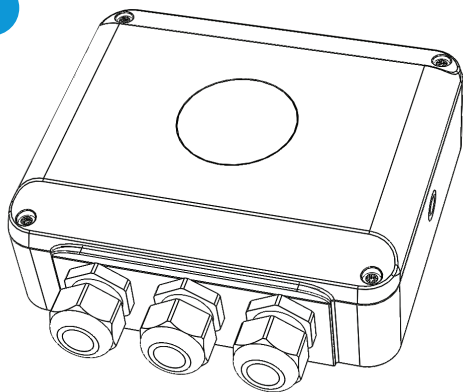


For operation only with 12VAC safety isolation transformer to power LED Pool Lights

Box contents

1. RCP-1500 controller
2. Handheld transmitter
3. Spare battery (type A23 12V)
4. Screws (4x) & wall plugs (4x)
5. Owners's manual

1



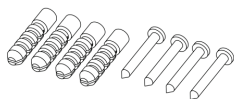
2



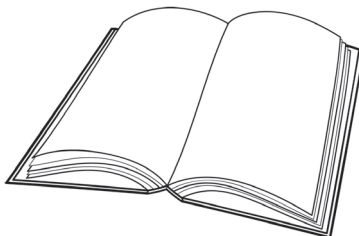
3



4



5




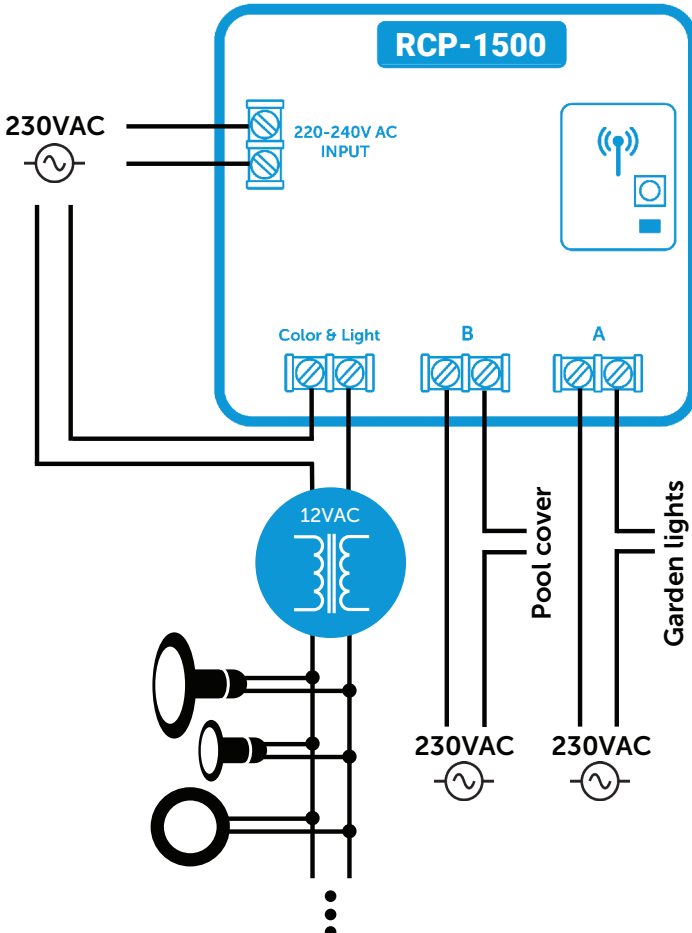
Installation instructions

Option 1: RCP-1500 in transformer primary

- Connect a 230VAC power source to the "220-240VAC INPUT" terminal
- Connect the primary circuit of a 12VAC transformer (sold separately) in series with the "Color&Light" terminal of the RCP-1500.

Optional: The "Switch A" & "switch B" terminals can be used to control auxiliary circuits like a pool cover or garden lights.

 The "Color&Light" relay contact has an output of 14A, which can drive a 12V transformer of max. 3000W (220Vx14A).



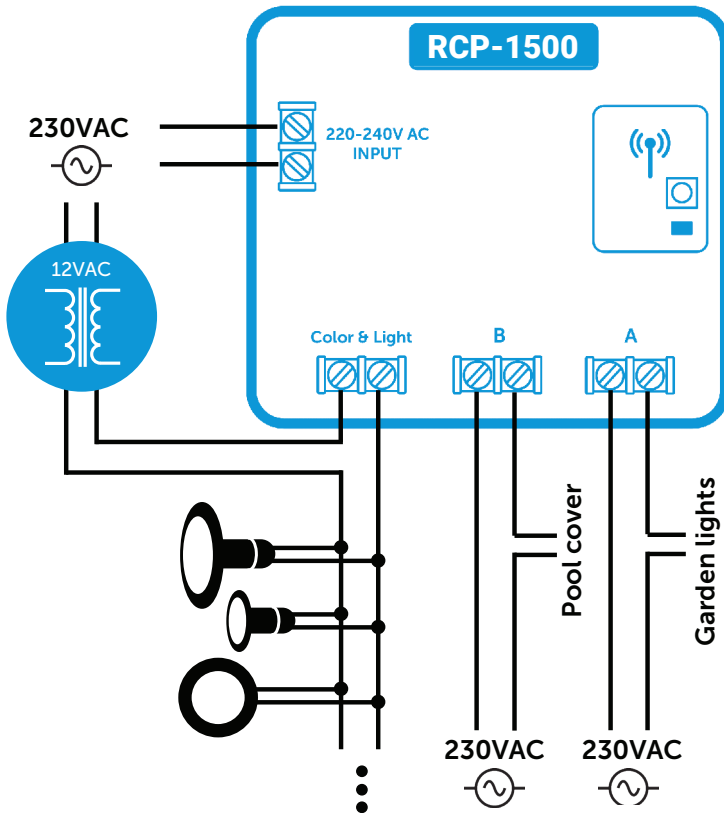
Option 2: RCP-1500 in transformer secondary

- Connect a 230VAC power source to the "220-240VAC INPUT" terminal
- Connect the secondary circuit of a 12VAC transformer (sold separately) in series with the "Color&Light" terminal of the RCP-1500.

Optional: The "Switch A" & "switch B" terminals can be used to control auxiliary circuits like a pool cover or garden lights.



The "Color&Light" relay contact has an output of 14A, or 170W on a 12V transformer secondary (14Ax12V). The total load of pool lights can not exceed this.



Pairing handheld transmitter & controller

The handheld transmitter is already paired in the factory and ready to use. The RCP-1500 can pair with up to 6 handheld transmitters. In case a problem arises, the pairing process can be done manually:

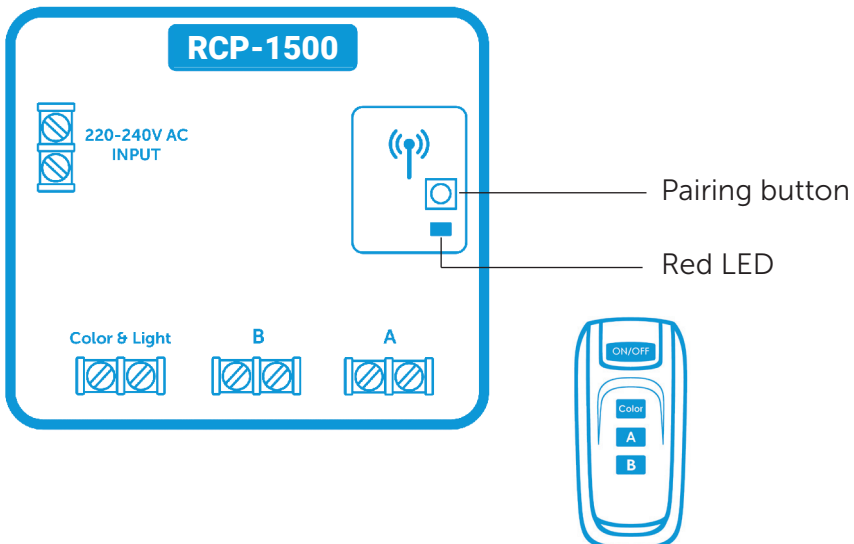
Manual Pairing process:

Make sure the RCP-1500 is connected to a power source.

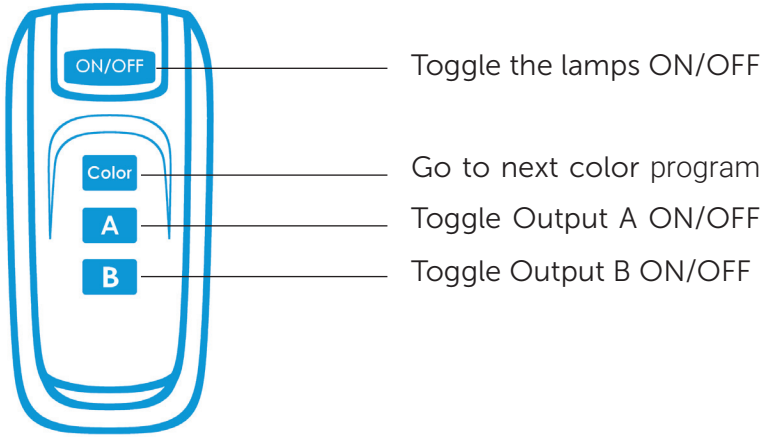
1. Press the pairing button on the small circuit board, inside the controller for at least 5 seconds.
--> The LED will start to blink fast
2. Within 25 seconds, press any button on the handheld transmitter.
--> If the transmitter is paired correctly, the LED will flash slowly for 5 times -->
If the RCP-1500 pairing memory is full, the LED will flash 15 times.
This means 6 handheld devices have already been paired.

To unpair all handheld transmitters with the controller: Push the pairing button for at least 5 seconds, then do nothing for at least 25 seconds.

--> The pair memory will be erased - the red LED will flash 5x on/off.



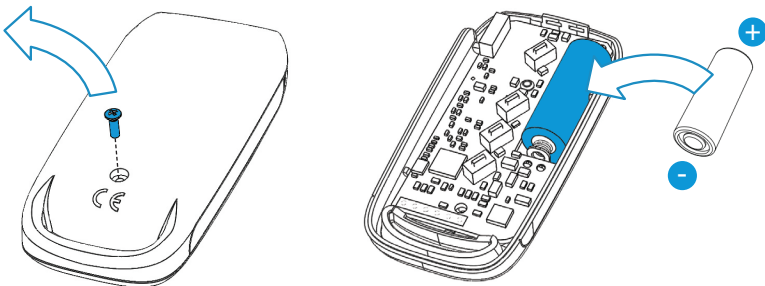
Handheld transmitter functions



Replacing transmitter battery

- Remove the philips head screw and open the transmitter
- Replace the battery, respecting the polarity

Battery type: A23 12V



Troubleshooting

PROBLEM

The controller doesn't react to transmitter commands

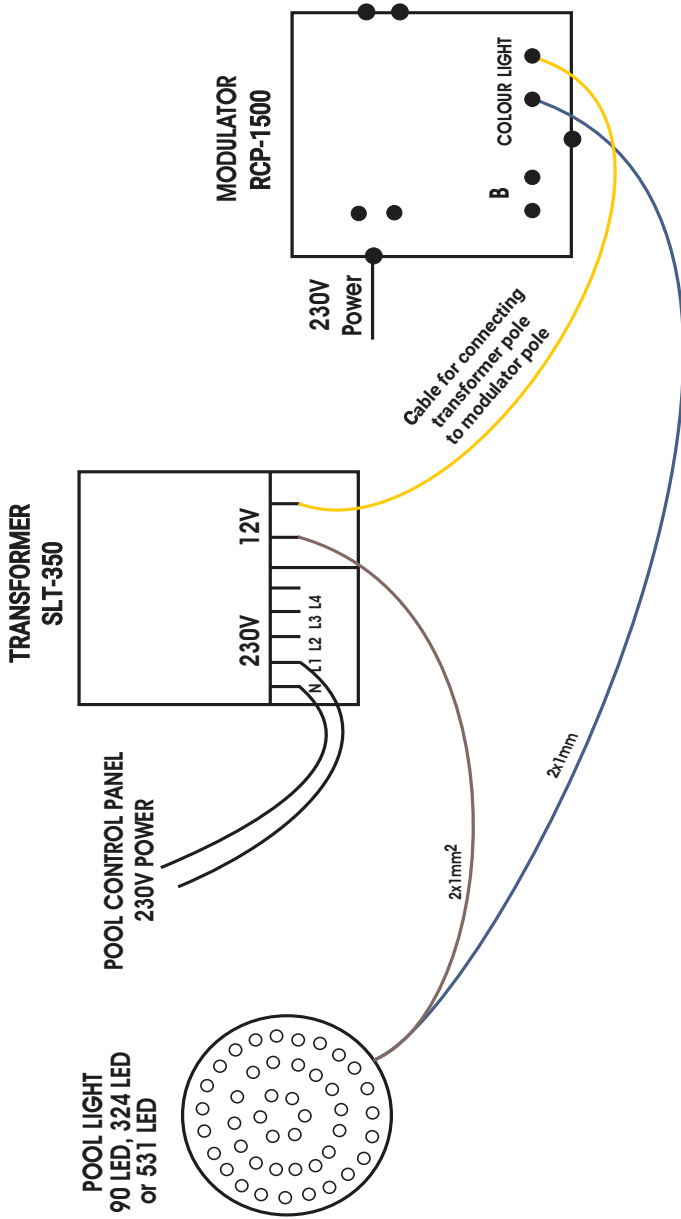
SOLUTION

- Check the battery of the handheld transmitter
- The transmitter is not paired-correctly with the controller. Repeat the pairing process
- Reduce the distance between handheld transmitter and RCP-1500 and/or remove obstacles

The pool lights don't work

- Check if all connections are made according to the electrical scheme on page 5 or 6.
- Check if the "Color&Light" output terminals of the controller switch on and of when pushing the on/off button on the transmitter.

Connection Diagram







15 Sourì str., 121 31 Peristeri
Athens, Greece

Tel. & Fax: +30 210 5721058, +30 210 5771863,
+30 210 5774345

E-mail: info@acquasource.gr

www.acquasource.gr

