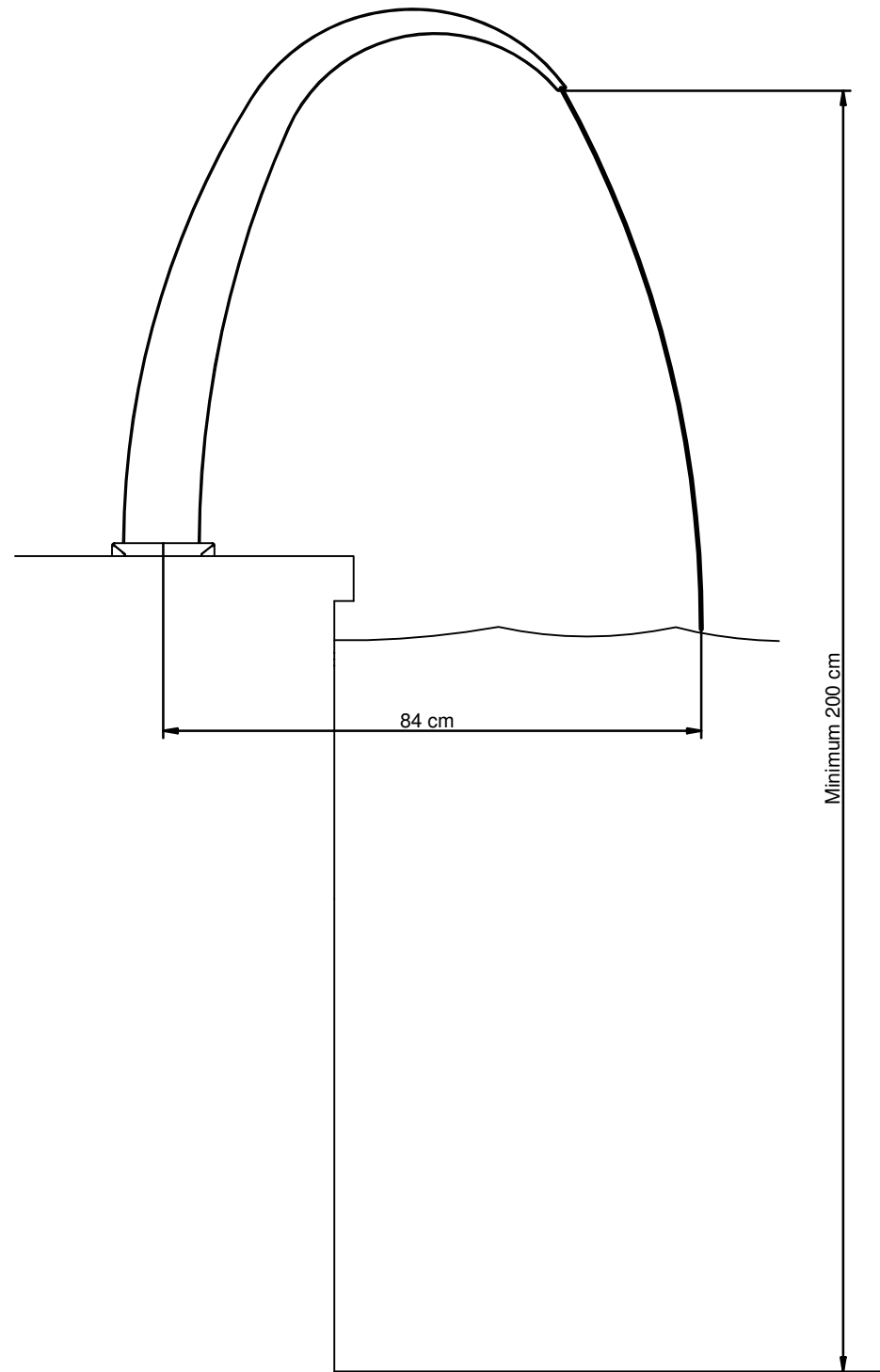
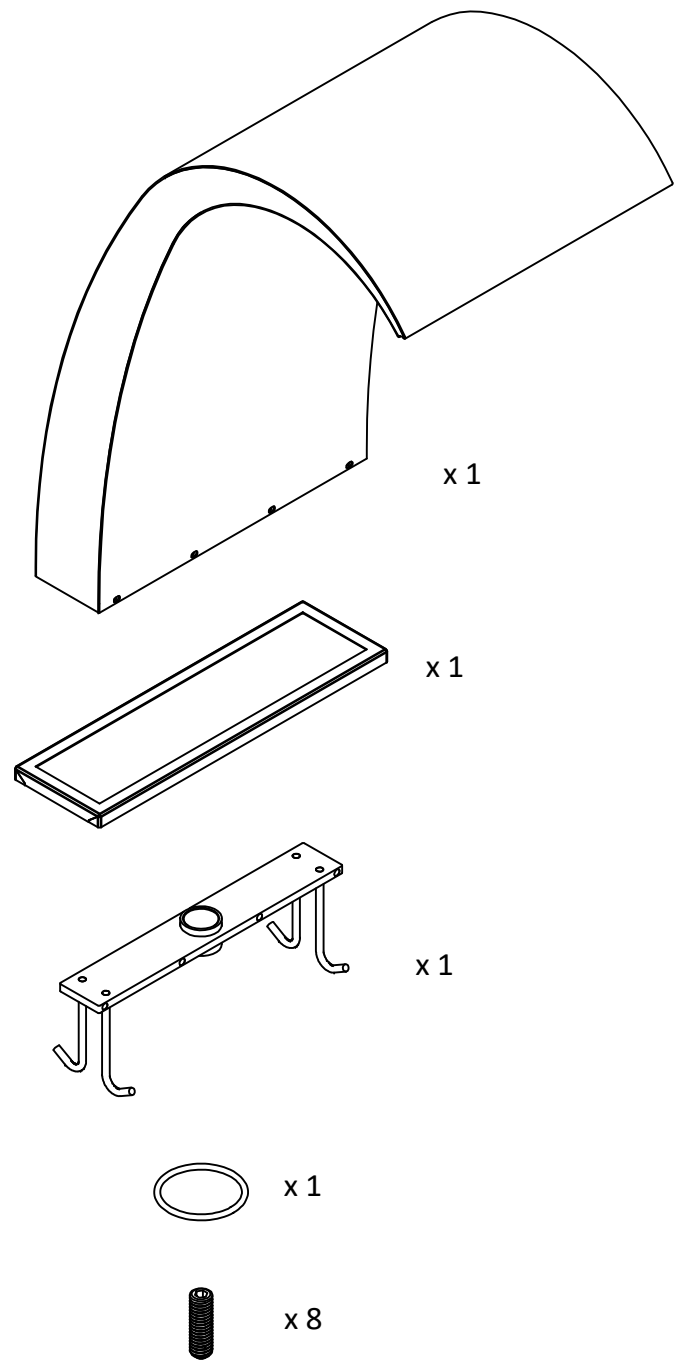
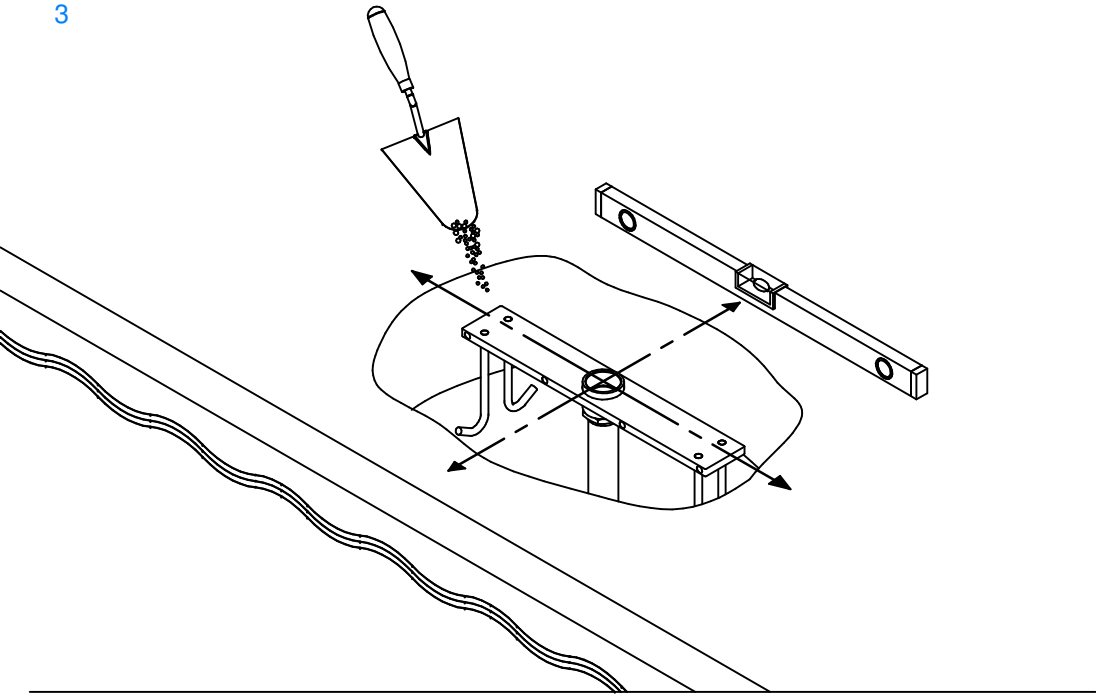




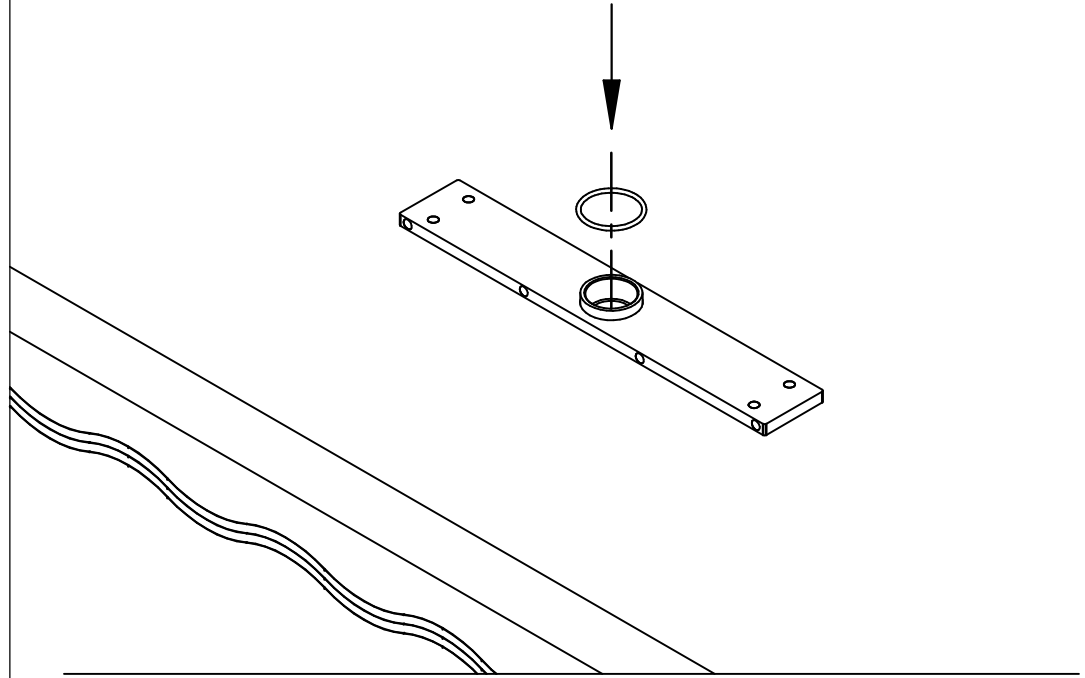
ASSEMBLY INSTRUCTIONS
WATER CURTAIN ANDROS (AGA-500)



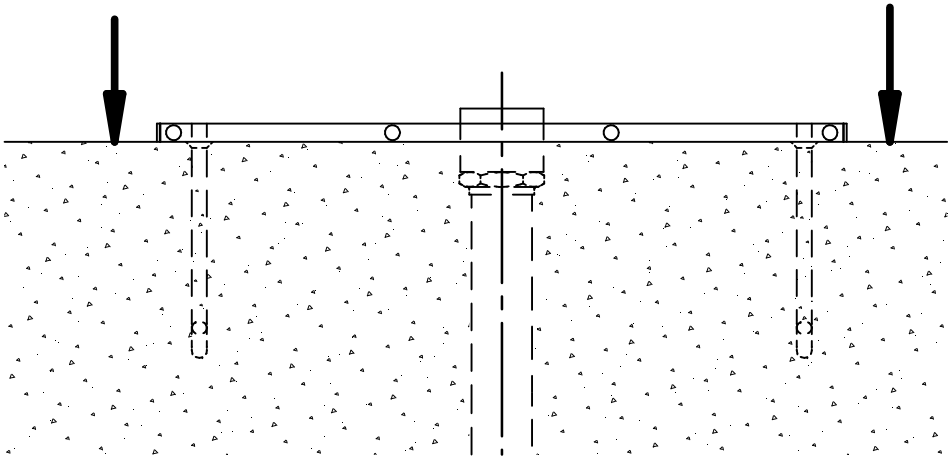
3



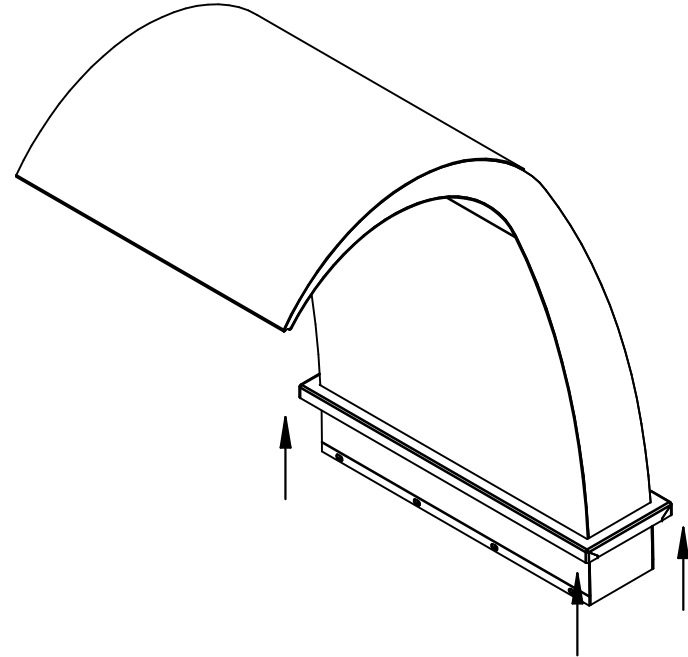
5



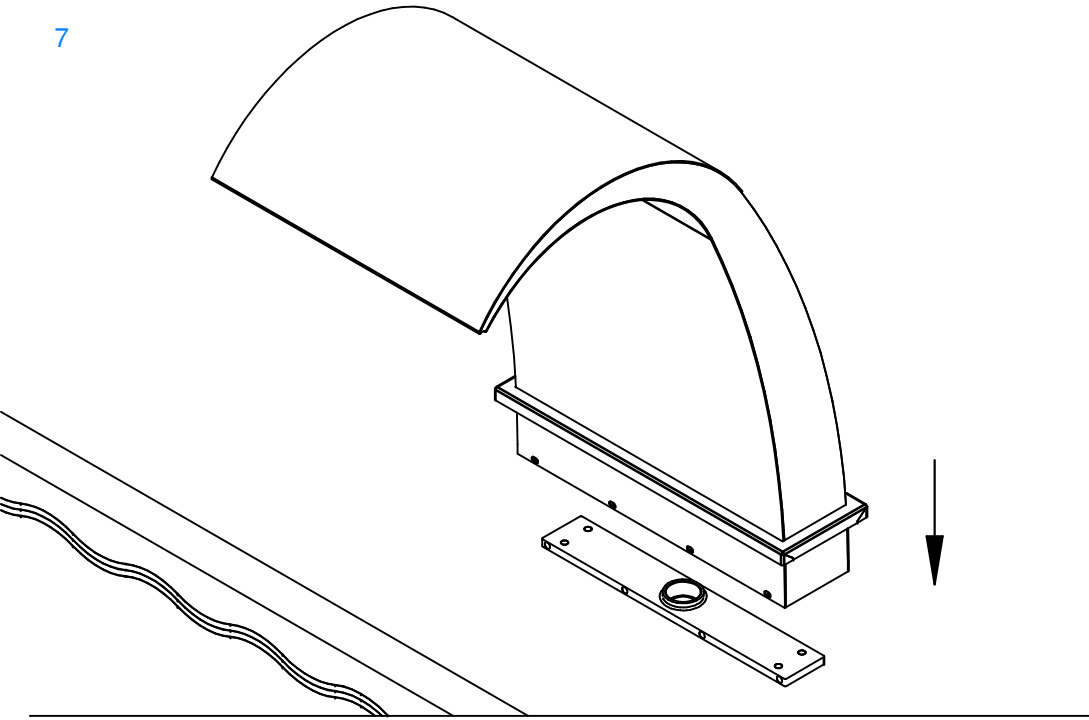
4



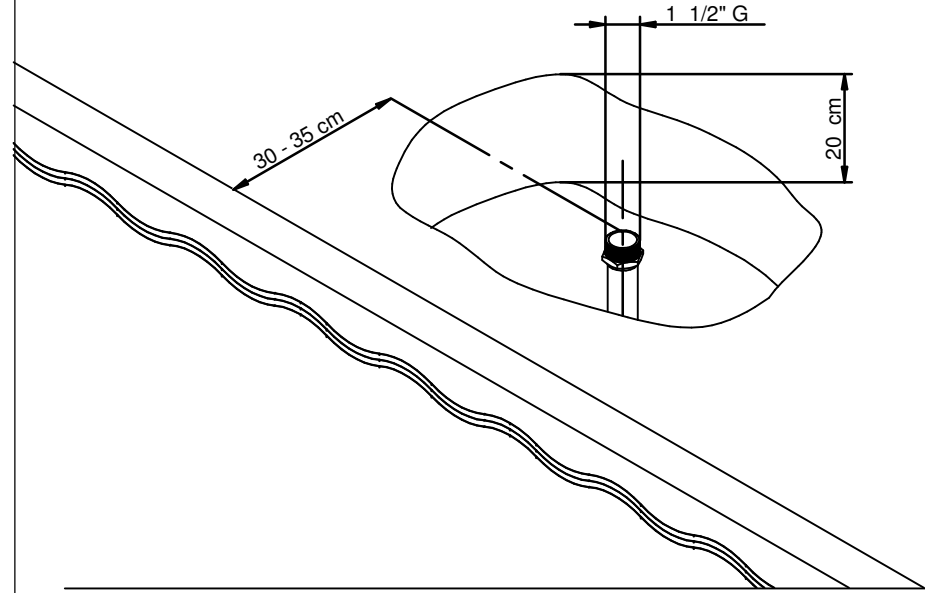
6



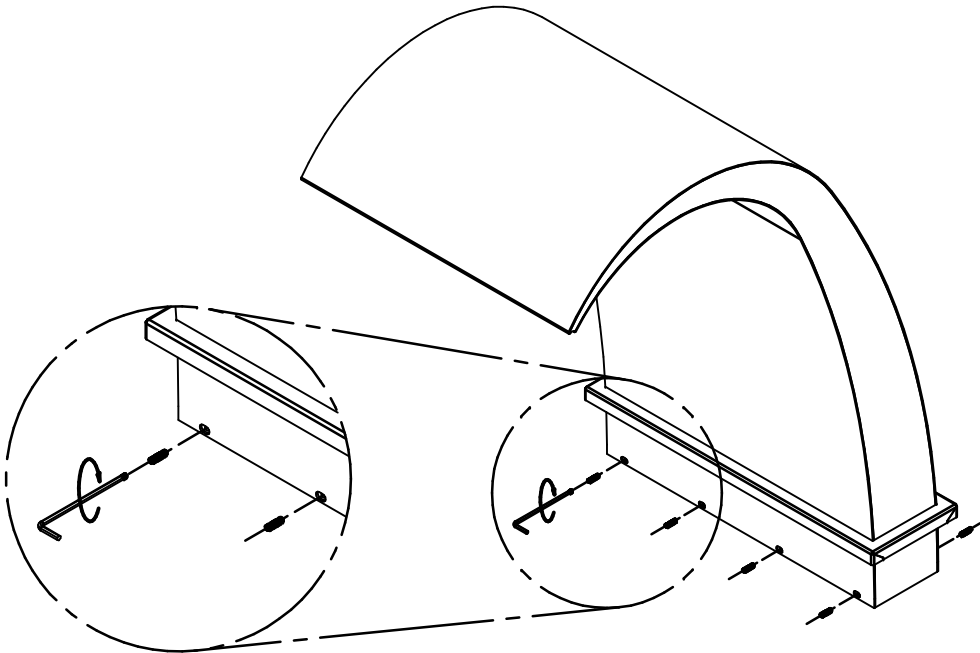
7



1



8



2

