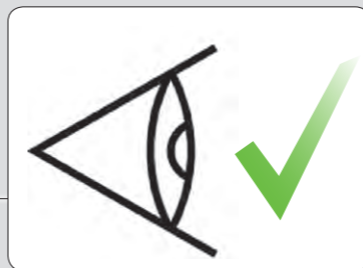


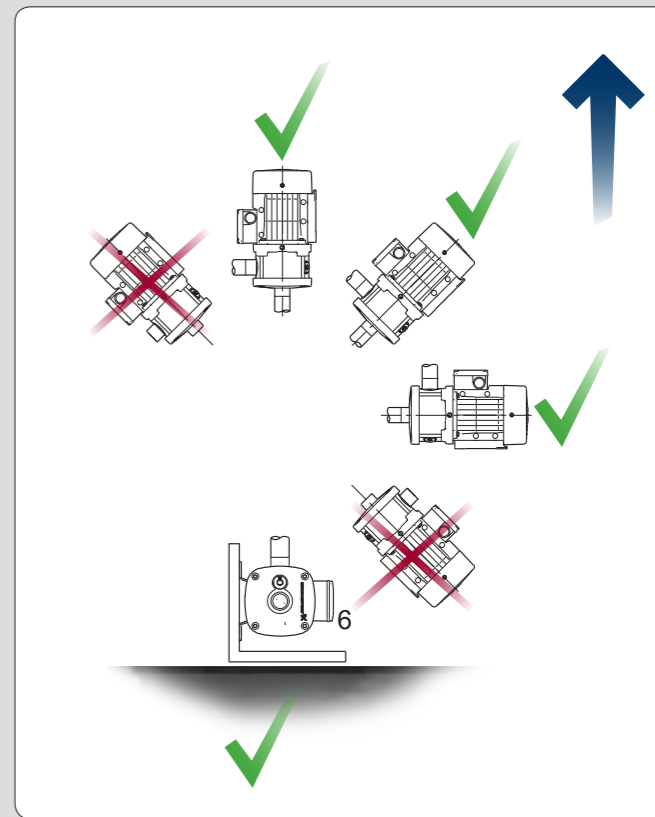
CM



1

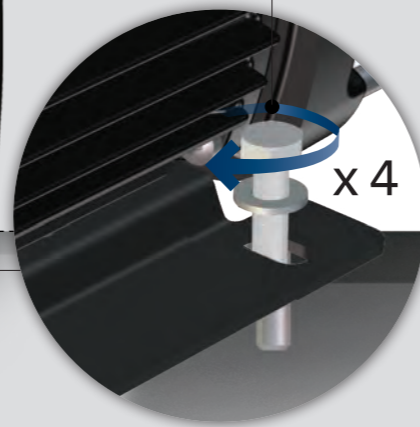
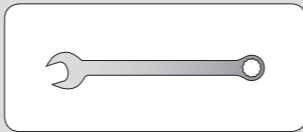
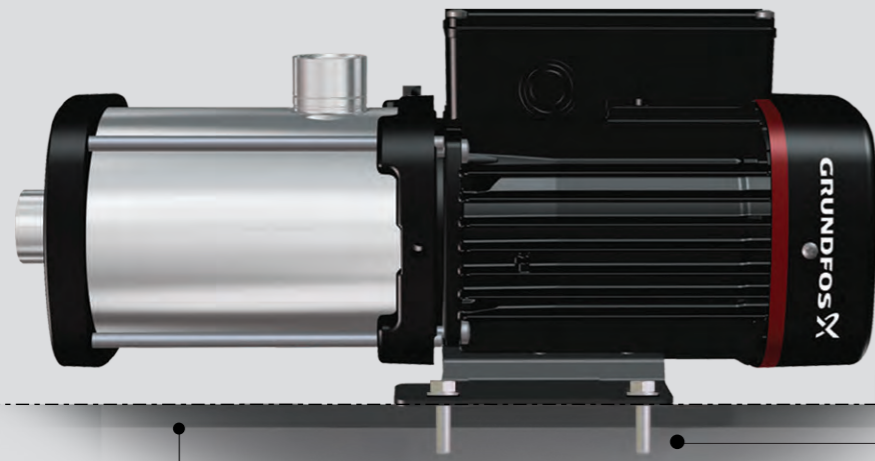


i

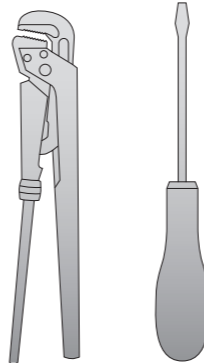




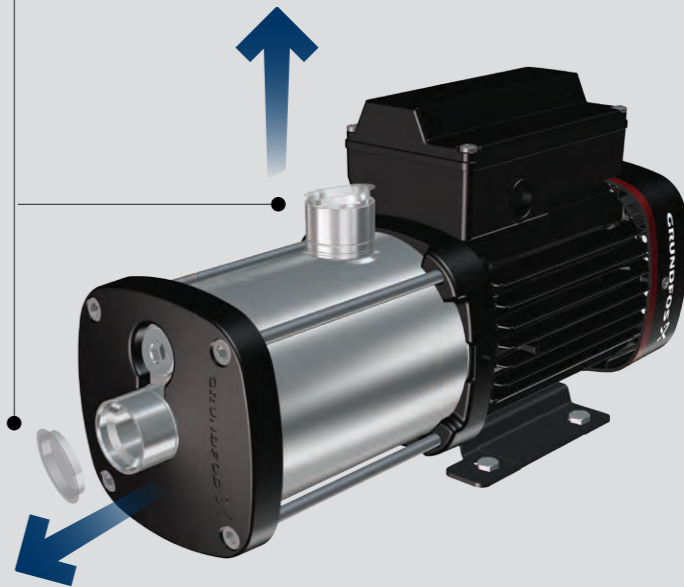
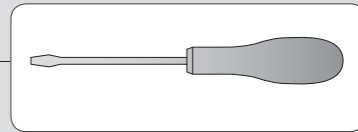
2

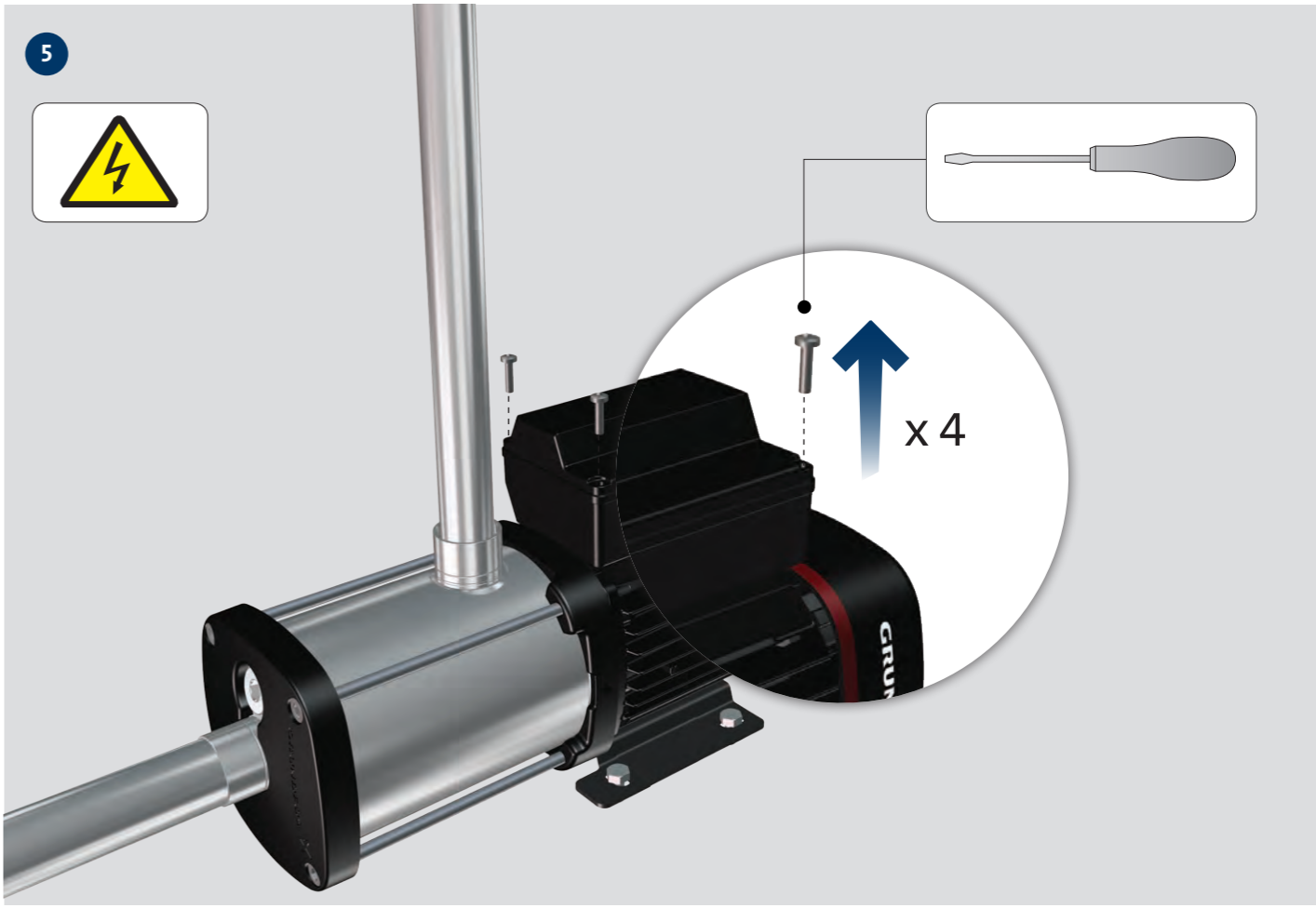
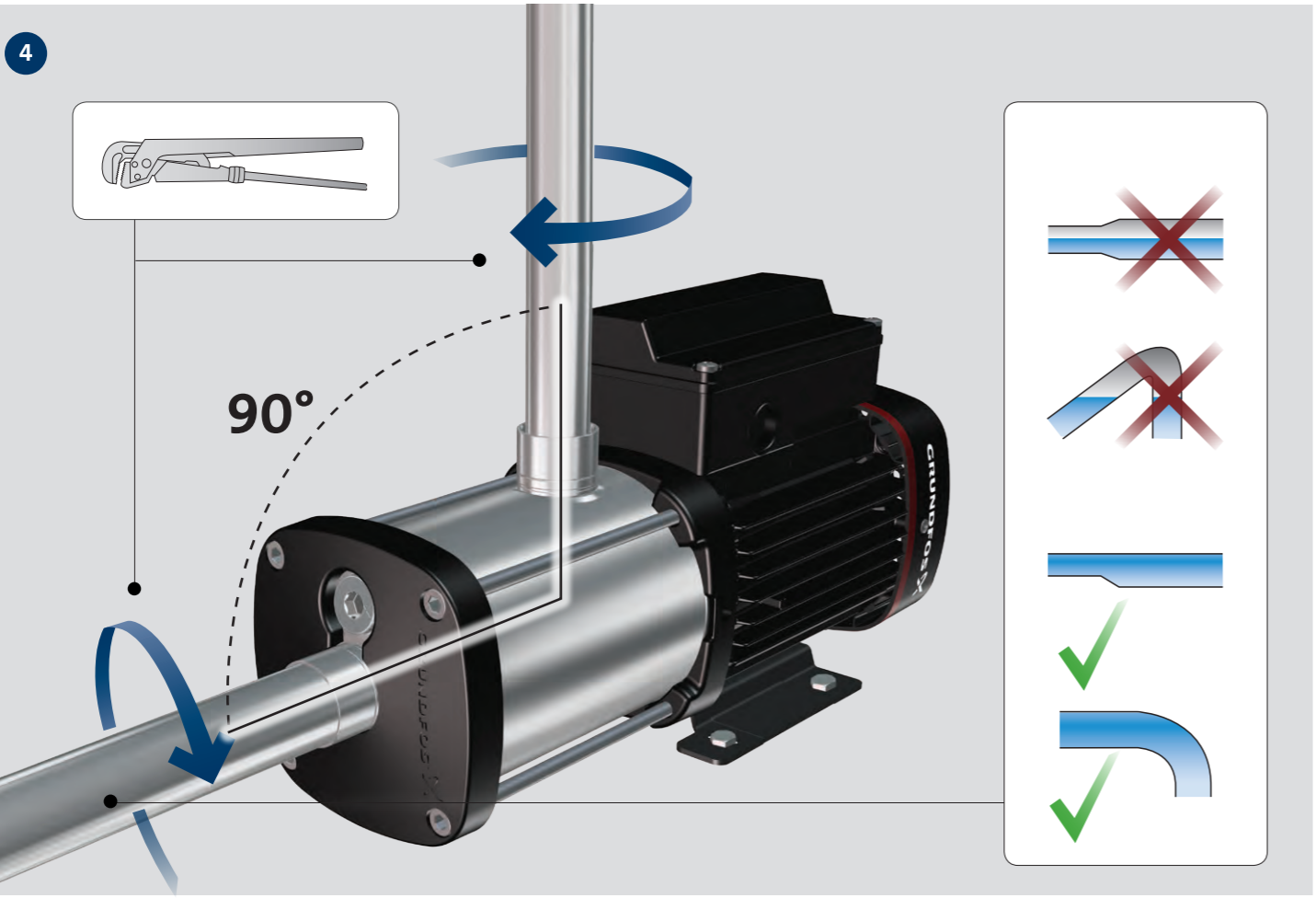
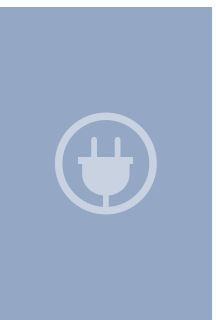


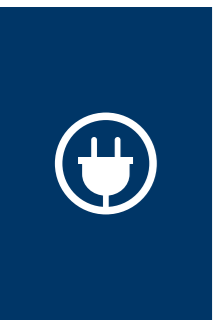
10 mm



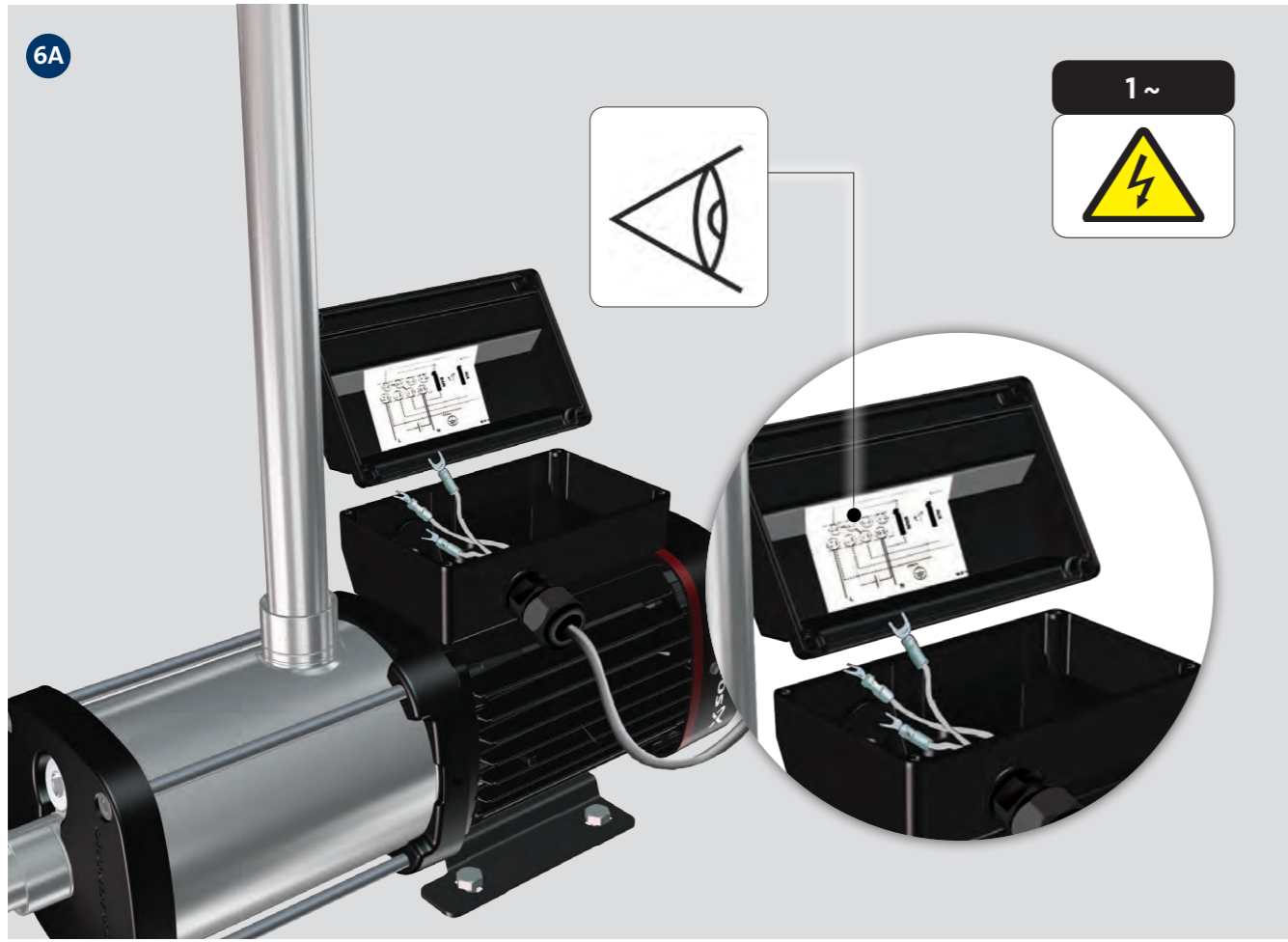
3



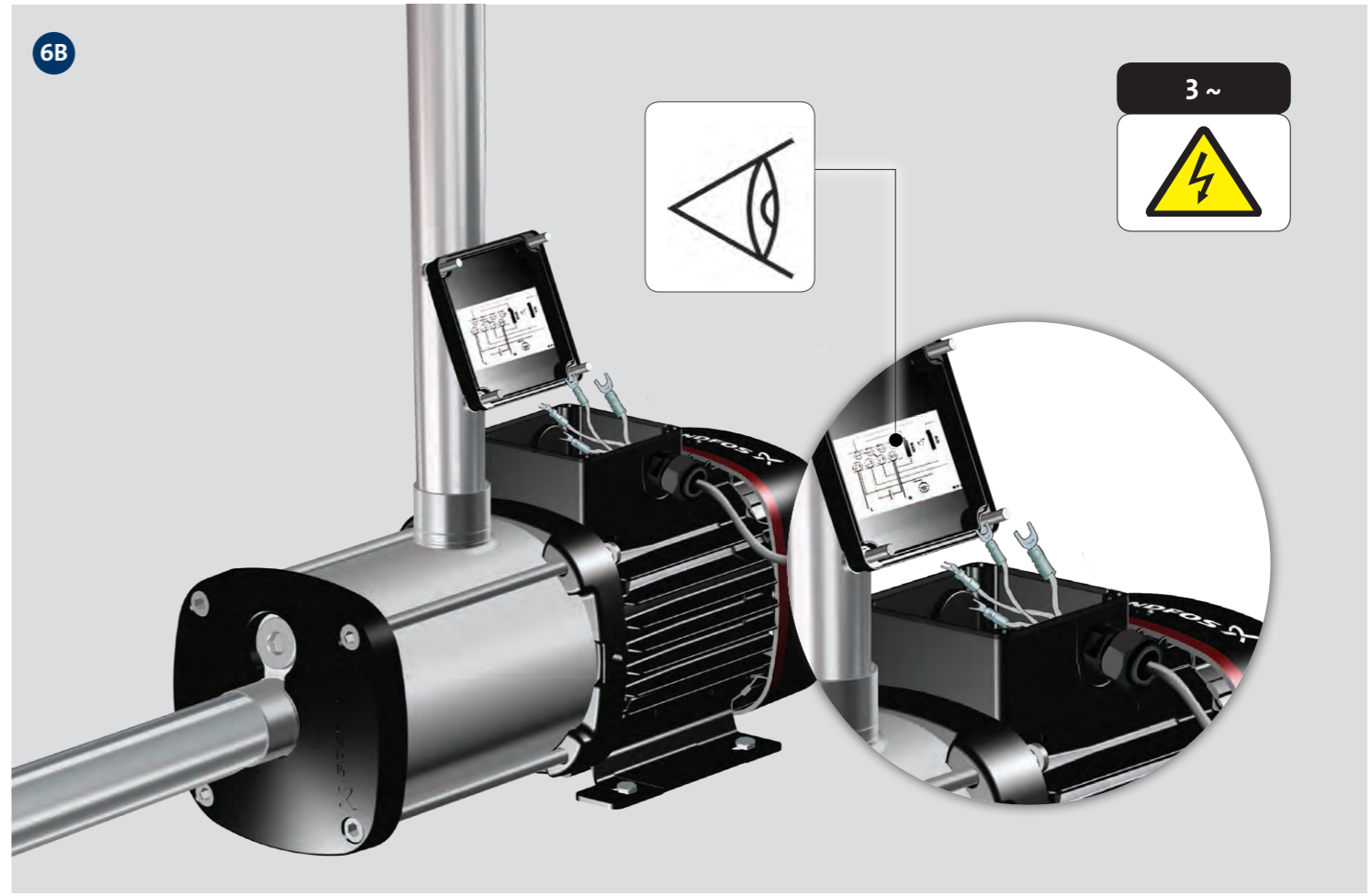


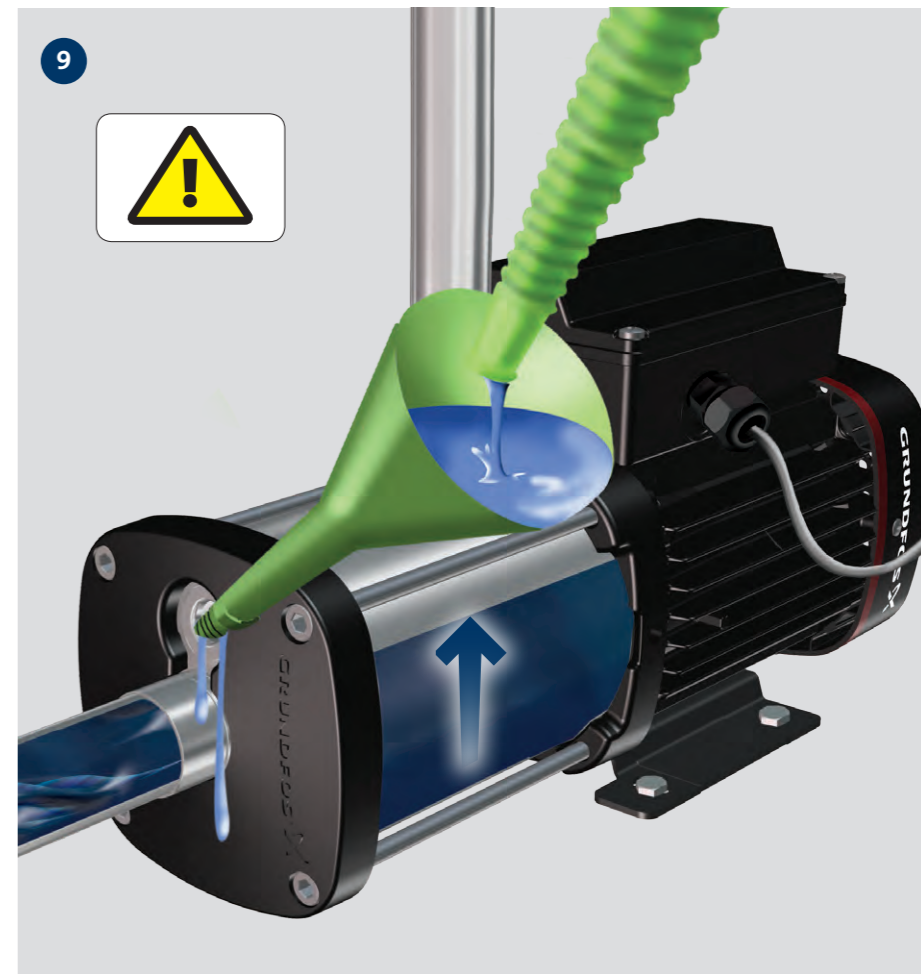
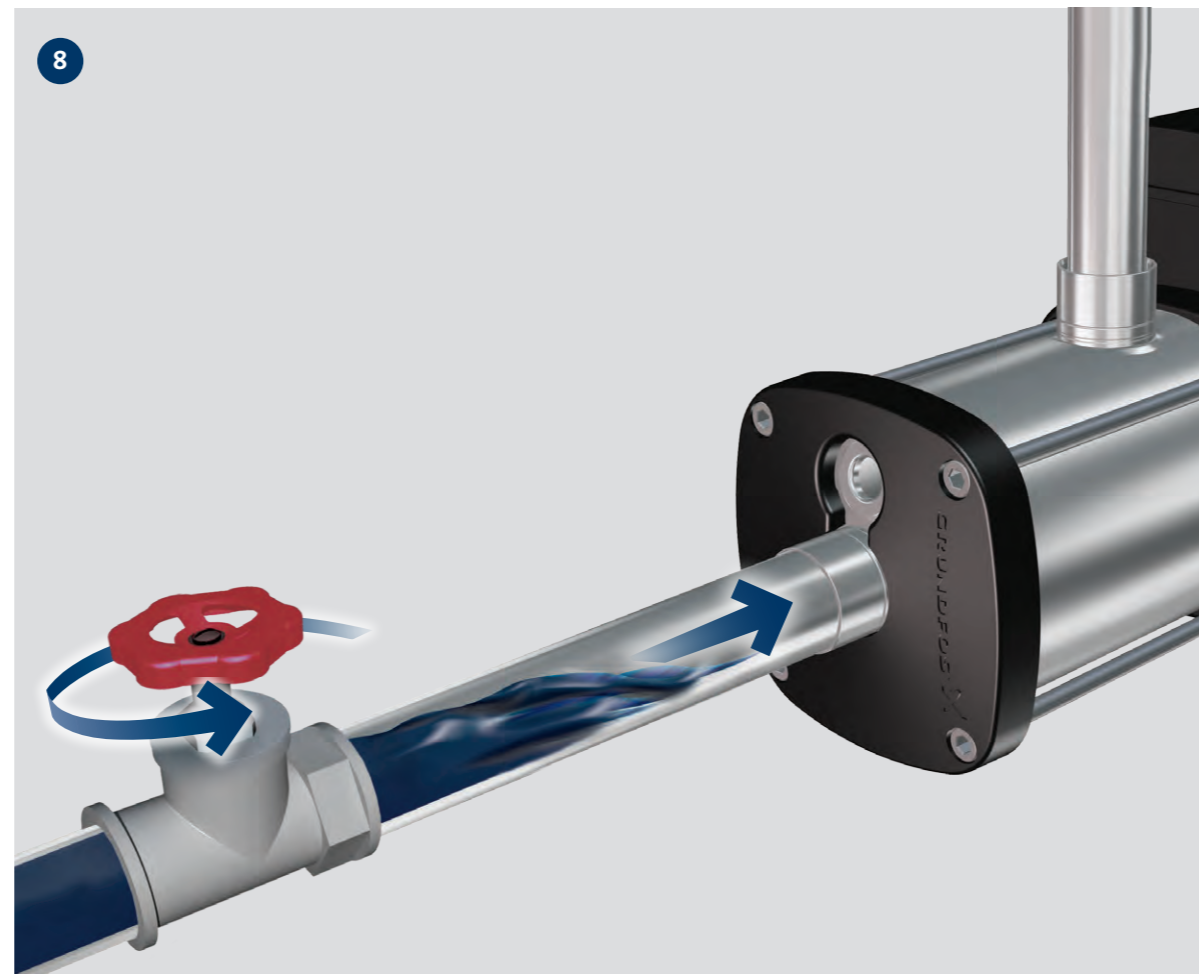
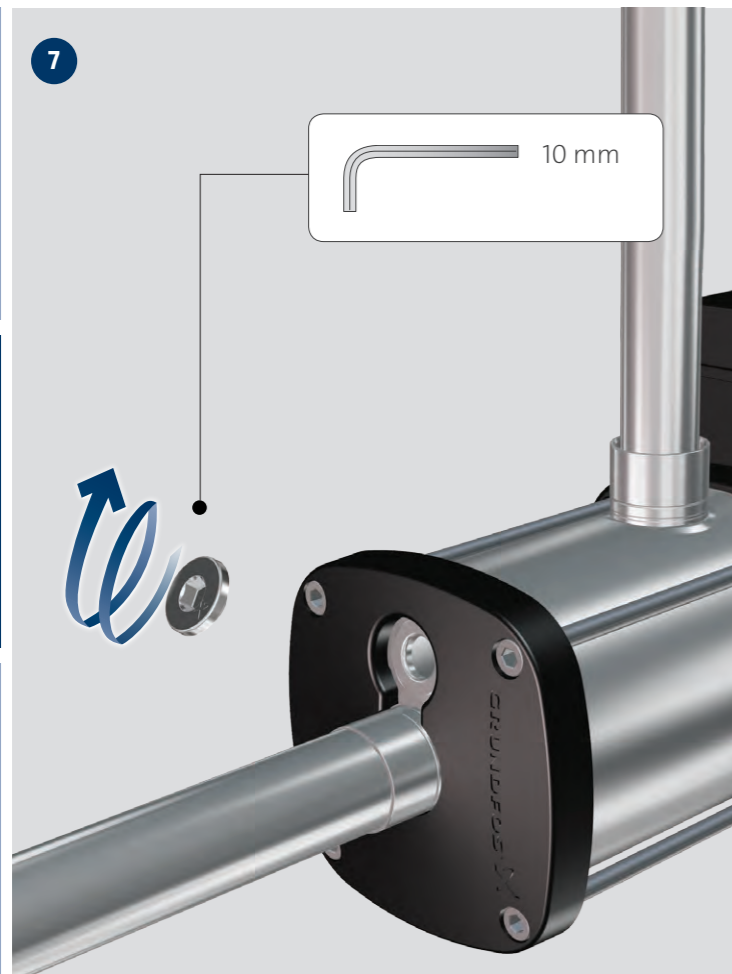


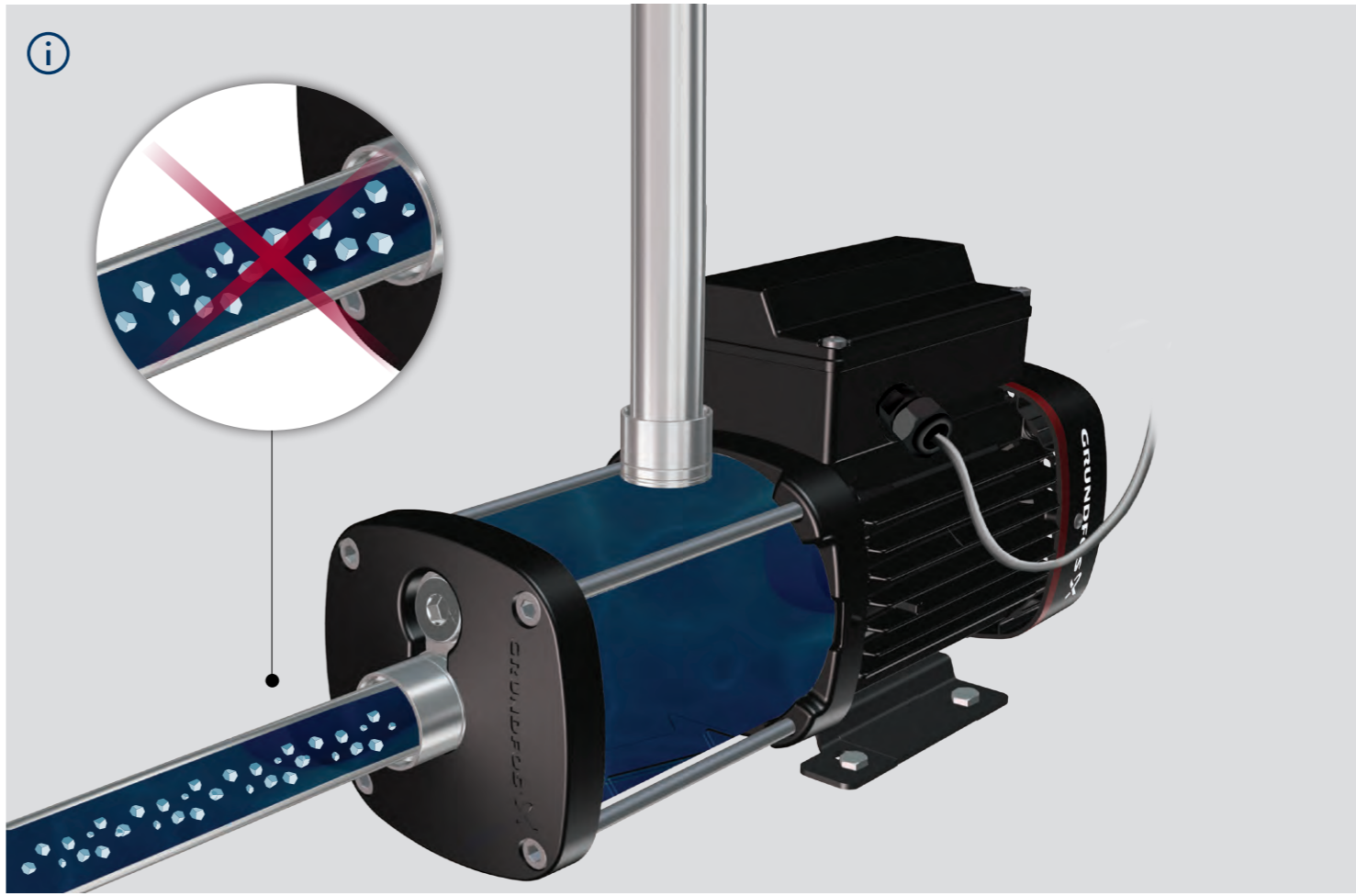
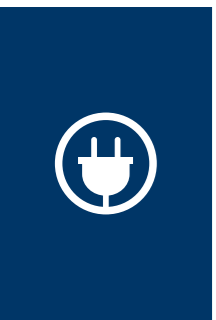
6A

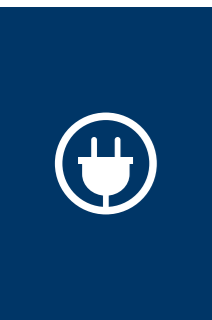


6B

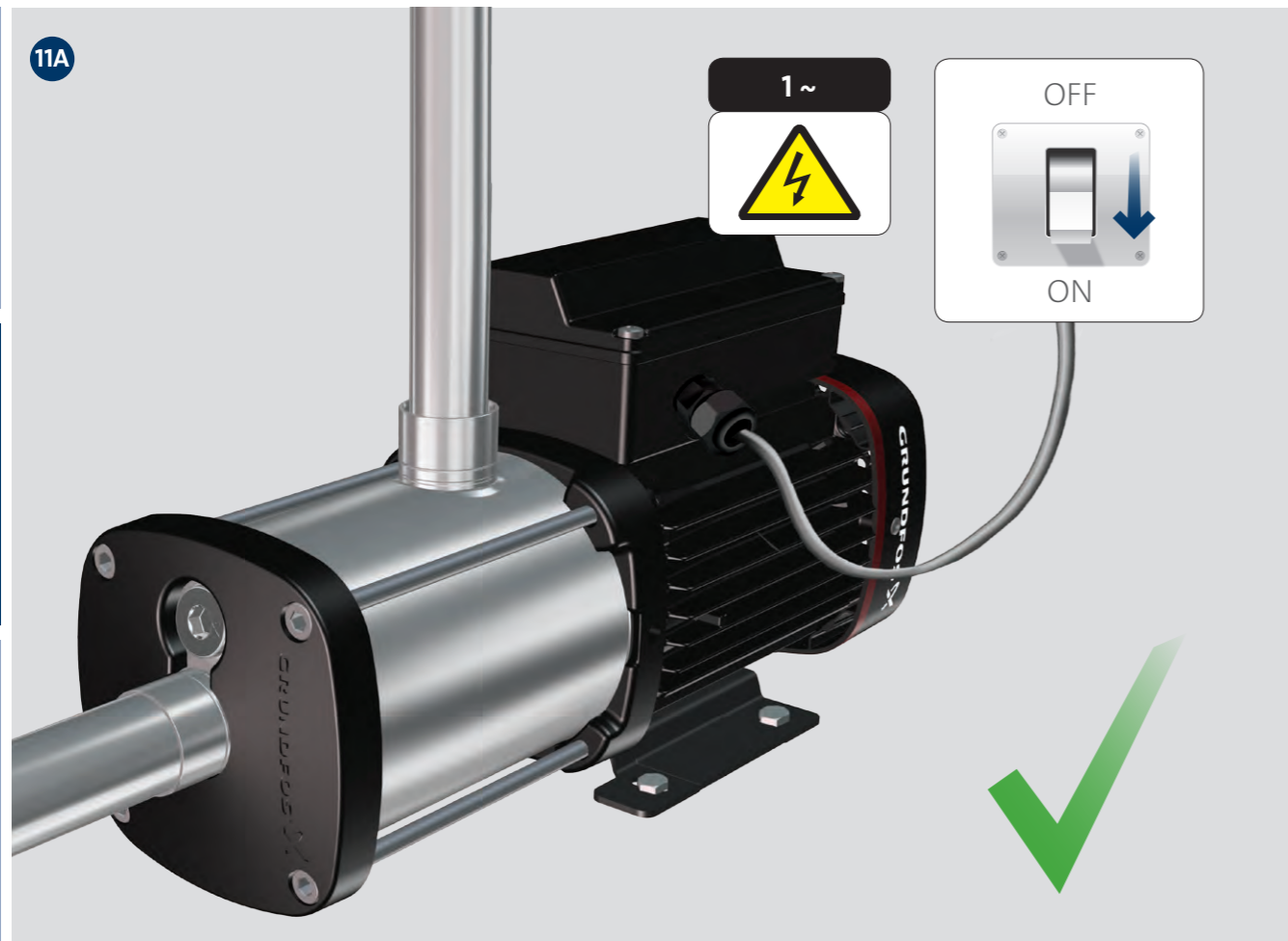








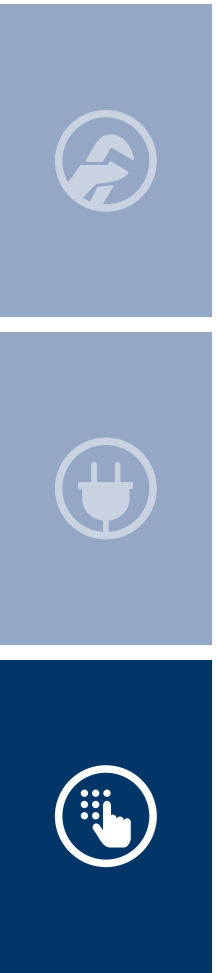
11A



11B







[grundfos.com/CM-manual](http://grundfos.com/CM-manual)



---

---

---

---

---

---

---

---

---

---