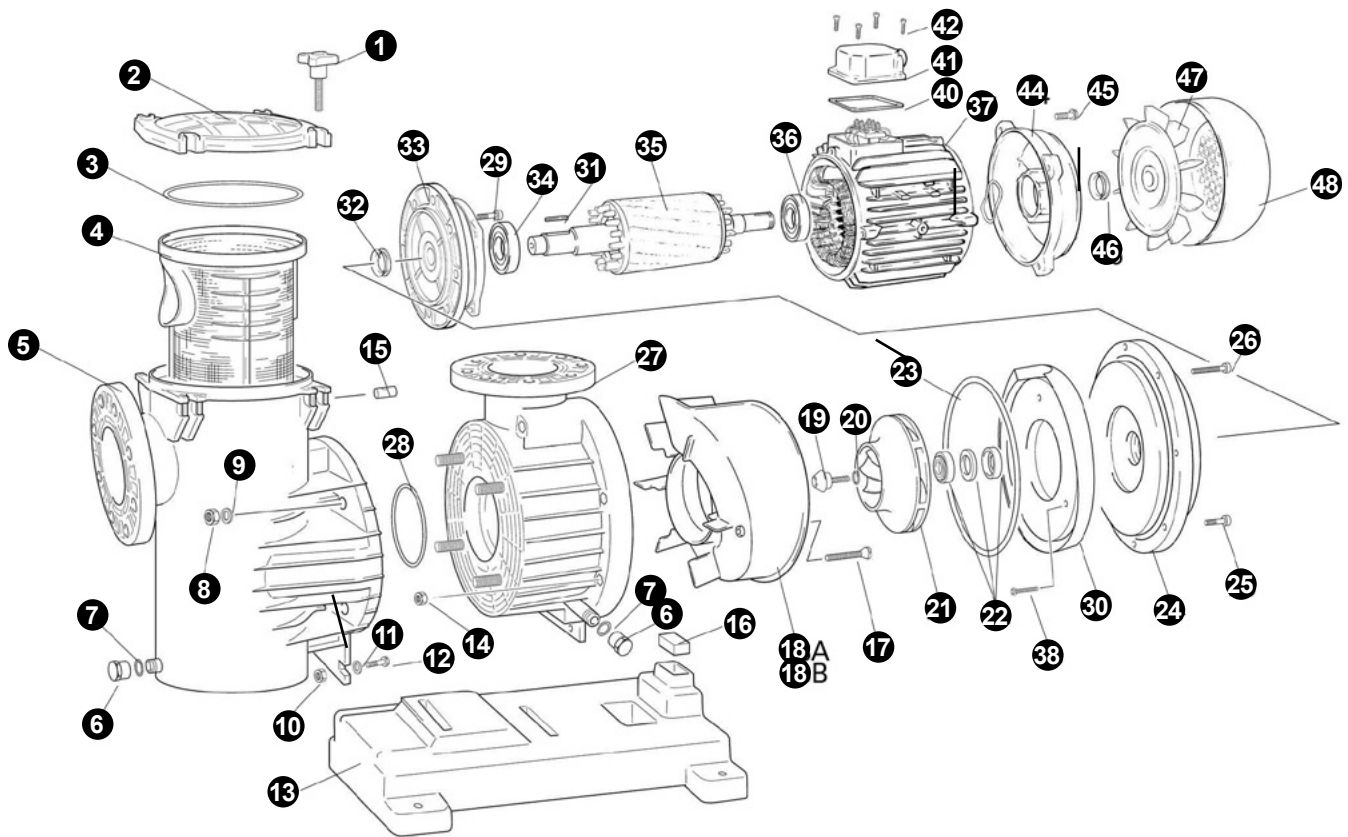


HIGH PERFORMANCE PUMP 1.450/2.850 RPM, MASC SERIES

ACQUA SOURCE™

MASC-250 • MASC-300 • MASC-400 • MASC-550 • MASC-750 • MASC-1000
MASC-550B • MASC-750B • MASC-1000B • MASC-1250B • MASC-1500B



No.	Description	Quantity	Code
S/N	KIT flanges MASC PVC DN 110	1	24101800
S/N	KIT flanges MASC PVC DN 110 (B.S.)	1	24101802
S/N	KIT flanges MASC PVC DN 110 (ANSI)	1	24101804
1	Handles MASC M10X50 AISI 304	4	92402082
2	Prefilter Cover MASC	1	92402049
3	Pre-Filter Cover O'ring MASC (215X10)	1	92402084
4	Pre-Filter Basket MASC	1	92402051
	Pre-Filter Basket MASC SS 316	1	92402095



No.	Description	Quantity	Code
5	Pre-Filter Body MASC	1	92402053
6	Drain Stopper MASC 1/2"	2	92402081
7	Drain Stopper O'ring MASC	2	92402087
8	Nut Din.934 M-16 A-2 Gripper	4	96325074
10	Nut Din.934 M-10 A-2 Gripper	6	96325050
11	Thrust Din.9021 M-10 A-2	4	96333017
12	Screw Din.933 M10X 30 A-2	4	96304406
13	Pump Base MASC	1	92402052
14	Nut Din.934 M-10 A-2 Gripper	8	96325050
15	Closure Pin Bolt MASC M-10	4	92402083
20	Impeller Plug O'ring (22X4,5)	1	92402088
23	Pump Body Cover Joint MASC (291,5X7)	1	92402086
25	Screw Din.912 M10X 30 A-2	6	96303196
26	Screw Din.912 M10X120 A-2	2	96303235
27	Pump Body MASC	1	92402054
28	Pre-Filter Body O'ring MASC (120X7)	1	92402085
31	Pin Din.6885 6X6X25 A-4 MASC	1	96401205
42	Screw Din.7500 M 3,5X15	4	96307038

For MASC 250 to 400 (MEC 100)

12	Impeller Plug+Screw MASC M 10X20 A-2	1	92402080
16	Rubber Shim MASC 3-5,5 CV (30X49X49)	1	92402089
17	Screw Din.7982 M 4,8X45 A-2	1	96310139
18A	Volute MASC-4 (1.450 Rpm) 300/400	1	92402094
19	Impeller Plug+Screw MASC M 10X20 A-2	1	92402080
21	Impeller MASC-250 Noryl	1	92402065
	Impeller MASC-300 Noryl	1	92402059
	Impeller MASC-400 Noryl	1	92402060
	Impeller MASC-250 Noryl 60Hz	*	92402598
	Impeller MASC-300 Noryl 60Hz	*	92402600
	Impeller MASC-400 Noryl 60Hz	*	92402602
22	Mechanical Seal 30L (AISI316) (MASC/GRAN)	1	9012330L
24	Pump Body Cover MASC 300-550	1	92402098
29	Screw Din.933 M10X40 A-2	4	96304412
30	Anti Volute MASC (1.450 Rpm) 300/400	1	92402093
S/N	Cable Gland MASC Mec 100 & 112	1	92402143
32-46	Mot. Rear Cov. Retainer VA-030 MASC Mec100/112	2	92402124
33	Front Motor Cover MASC Mec.100 (300/400)	1	92402148
34-36	Bearing 6206 ZZC3 MASC 250-550	2	92402131
38	Screw Din.7982 M 4,8X32 A-2	4	96310133
	Screw Din.7982 M 4,8X45 A-2	1	96310139



No.	Description	Quantity	Code
For MASC 250 to 400 (MEC 100) <i>- continued from previous page -</i>			
40	Terminal Box Gasket Mec80	1	92400140
41	Terminal Box MASC Mec 100	1	92402120
S/N	Terminal Plate MASC Mec100 & 112	1	92402126
44	Motor Rear Cover Mec100 MASC	1	92500120
47	Fan Mec100 MASC	1	92500111
48	Fan Cover Mec100 MASC	1	92500117
S/N	Flat Rubber Gasket Dn 100 (162X115X3)	2	96401049

For MASC 550 (MEC 112)			
16	Rubber Shim MASC 5,5 CV	1	92402090
18A	Volute MASC (1.450 Rpm) 550/750/1000	1	92402057
	Impeller Plug+Screw MASC M 10X20 A-2	1	92402080
19	Inox Plug+Screw Impeller MASC S.S. M10X20 A-4	1	92402079*
	Inox Plug+Screw Impeller Grivory M 10X20 A-2	1	92402652*
12	Impeller Plug+Screw MASC M 10X20 A-2	1	92402080
	Impeller MASC-550 Noryl	1	92402061
21	Impeller MASC-550 Bronze	1	92402072
	Impeller MASC-550 Noryl 60Hz	*	92402604
	Impeller MASC-750 Noryl 60Hz/E-MASC 550	*	92402606
22	Mechanical Seal 30L (AISI316) (MASC/GRAN)	1	9012330L
	Mechanical Seal 32 L (AISI316) (MASC/GRAN)	1	9012332L
	Mech. Sealcarb. Silic D.30 (MASC) (316) Plas. Imp.	*	9012430L
	Mech. Seal Carb. Silic D.32 (MASC) (316) Br. Imp.	*	9012432L
24	Pump Body Cover MASC 300-550	1	92402098
29	Screw Din.933 M10X 40 A-2	4	96304412
S/N	Cable Gland MASC Mec 100 & 112	1	92402143
32-46	Mot.Rear Cov.Retainer Va-030 MASC Mec100/112	2	92402124
33	Front Motor Cover MASC Mec.112 (550)	1	92402149
34-36	Bearing 6306 ZZC3 MASC 550	2	92402130
38	Screw Din.7982 M 4,8X32 A-2	4	96310133
40	Terminal Box Gasket Mec 112 & 132 MASC	0	92402123
41	Terminal Box MASC Mec 112 & 132	1	92402121
S/N	Terminal Plate MASC Mec100 & 112	1	92402126
44	Motor Rear Cover MASC Mec.112 (550)	1	92402156
47	Fan MASC Mec 112	1	92402137
48	Fan Cover Mec 112 MASC	1	92402133



No.	Description	Quantity	Code
For MASC 750 to 1500 (MEC 132)			
16	Rubber Shim MASC 7,5-15 Cv (30X49X25)	1	92402091
17	Screw Din.7982 M 4,8X45 A-2	1	96310139
	Screw Din.7982 M 4,8X80 A-2	1	96310151
18A	Volute MASC (1.450 Rpm) 550/750/1000	1	92402057
18B	Volute MASC (2.850 Rpm) 1250/1500	1	92402058
19	Inox Plug+Screw Impeller MASC S.S. M10X20 A-4	1	92402079*
	Inox Plug+Screw Impeller Grivory M 10X20 A-2	1	92402652*
	Impeller Plug+Screw MASC M 10X20 A-2	1	92402080
21	Impeller MASC-750 Noryl	1	92402062
	Impeller MASC-750 Bronze	1	92402073
	Impeller MASC-750 Bronze 60Hz/E-MASC 550	*	92402612
	Kit Impeller MASC-1000 Grivory	1	92402660
	Impeller MASC-1000 Bronze	1	92402074
	Impeller MASC-1000 Bronze 60Hz	*	92402614
	Impeller MASC-1250 Bronze	1	92402077
	Impeller MASC-1250 Bronze 60Hz	*	92402616
	Impeller MASC-1500 Bronze	1	92402078
Impeller MASC-1500 Bronze 60Hz	*	92402618	
22	Mechanical Seal 30L (AISI316) (MASC/GRAN)	1	9012330L
	Mechanical Seal 32 L (AISI316) (MASC/GRAN)	1	9012332L
	Mech.Sealcarb.Silic D.30 (MASC) (316) Plas. Imp	*	9012430L
	Mech.Seal Carb.Silic D.32 (MASC) (316) Br. Imp.	*	9012432L
24	Pump Body Cover MASC 750-1500	1	92402099
29	Screw Din.933 M12X 40 A-2	4	96304514
S/N	Press-Cable MASC Mec 132	1	92402144
32-46	Motor Rear Conver Retainer VA-040 MASC Mec 132	2	92402125
33	Front Motor Cover MASC Mec.132 (750/1500)	1	92402150
34-36	Bearing 6308 ZZC3 MASC 750-1500	2	92402132
38	Screw Din.7982 M 4,8X32 A-2	4	96310133
	Screw Din.7982 M 4,8X80 A-2	1	96310151
40	Terminal Box Gasket Mec 112 & 132 MASC	1	92402123
41	Terminal Box MASC Mec 112 & 132	1	92402121
S/N	Terminal Plate MASC Mec 132	1	92402127
44	Motor Rear Cover MASC Mec.132 (750/1500)	1	92402157
47	Fan MASC Mec 132	1	92402138
48	Fan Cover Mec 132 MASC	1	92402134

* 92402079: For pumps with bronze impeller only.
92402652: For pumps with grivory impeller only.