



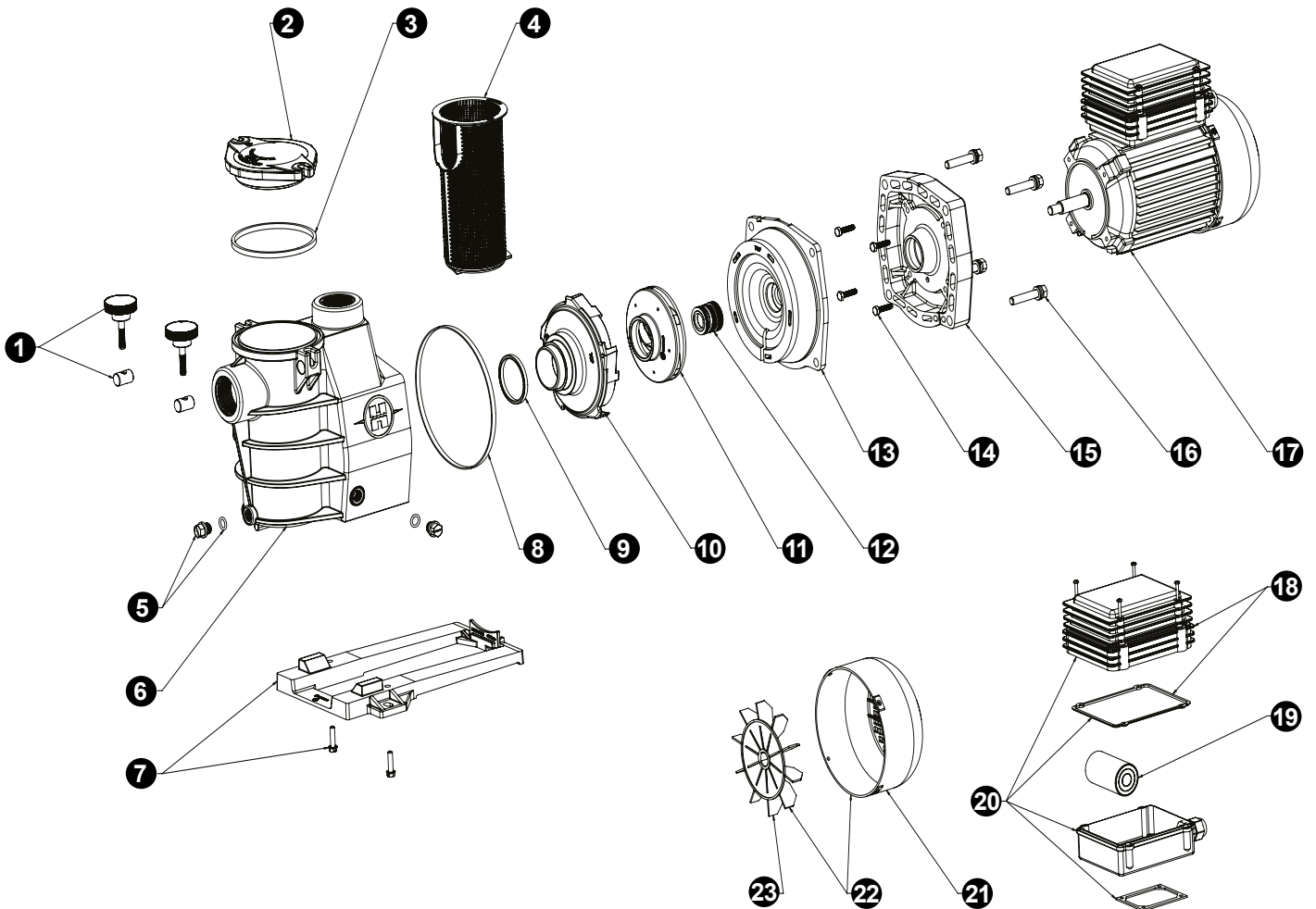
SELF-PRIMING SWIMMING POOL PUMP FOR RESIDENTIAL POOL, MAX FLO

HAYWARD



MODELS

- SP1806XW81
- SP1808XW111
- SP1811XW161
- SP1816XW221
- SP1808XW113
- SP1811XW163
- SP1816XW223





No.	Description	Quantity	Code
1	Swivel nut		SPX1600PN
2 + 3	Strainer cover		SPX1250LA
3	Lid gasket		SPX0125T
4	Strainer basket		SPX2800M
5	Drain Plug		SPX1700FG
6	Pump Housing/Strainer		SPX2800AE
7	Mounting bracket SP1806HW81/SP1808HW111/SP1811HW161/SP1816HW221		SPX2600G1W1
	SP1808XW113/SP1811XW163/SP1816XW223		SPX2600G1W2
8	Housing gasket		SPX1600T
9	Diffuser gasket		SPX1600R
10	Diffuser		SPX2800BE
11	Impeller SP1806HW81		SPX2607CEM
	SP1808HW111		SPX2607CEMB
	SP1811HW161		SPX2610CE
	SP1816HW221/SP1816XW223		SPX2615CE
	SP1808XW113		SPX2607CE
	SP1811XW163		SPX2610CE
12	Seal assembly		SPX1600Z2
13	Seal plate		SPX2600E5
14	Motor cap screw		SPX0125Z4E
15	Motor mounting plate		SPX1600FE5
16	Housing screw		SPX1600Z4KIT
17	Motor SP1806HW81		SPX3005Z1CAEB
	SP1808HW111		SPX3007Z1CAEB
	SP1811HW161		SPX3010Z1CAEB
	SP1816HW221		SPX3015Z1CAEB
	SP1808XW113		SPX3015Z1CAETB
	SP1811XW163		SPX3015Z1CAETB
SP1816XW223		SPX3015Z1CAETB	
18	Junction box (Cover + gasket)		SPX3000Z1CCG
19	Capacitor SP1806HW81/SP1808HW111/SP1811HW161		SPX3000Z1CCA1
	SP1816HW221		SPX3000Z1CCA2
20	Junction box assembly		SPX3000Z1CWBG
21	Fan cover SP1806HW81/SP1808HW111/SP1811HW161/SP1816HW221		SPX3000Z1CEC1
	SP1808XW113/SP1811XW163/SP1816XW223		SPX3000Z1CEC2
22	Fan cover+Fan SP1806HW81/SP1808HW111/SP1811HW161/SP1816HW221		SPX3000Z1CECF1
	SP1808XW113/SP1811XW163/SP1816XW223		SPX3000Z1CECF2
23	Fan SP1806HW81/SP1808HW111/SP1811HW161/SP1816HW221		SPX3000Z1CF1
	SP1808XW113/SP1811XW163/SP1816XW223		SPX3000Z1CF2
	Slinger		SPX0125FS2