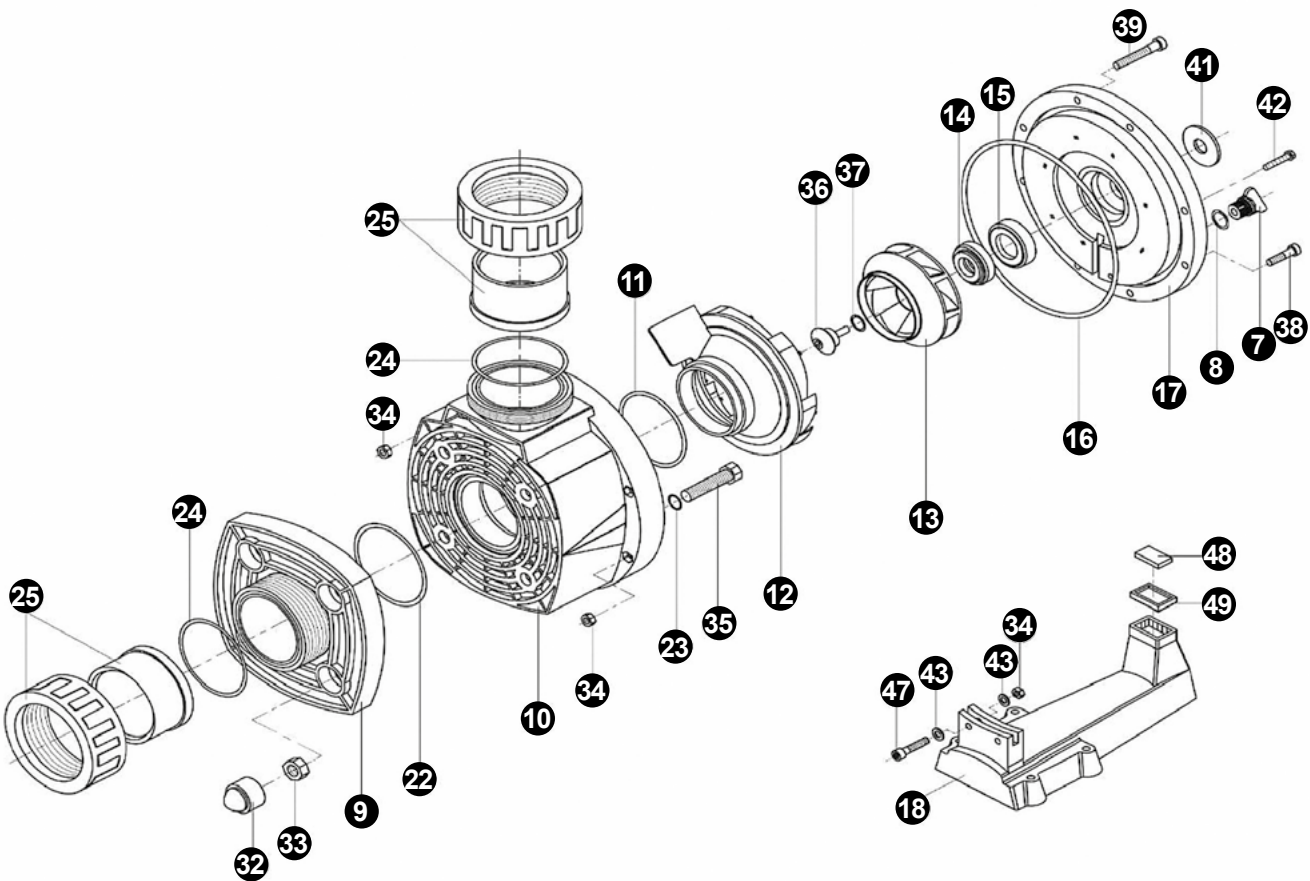




NO PREFILTER PUMP FOR UP STREAM EQUIPMENT / SPAS, KARPA (HCP 1000) SERIES



KA250 M (HCP10251E) • KA250 T1 (HCP10253E1) • KA300 M (HCP10301E)
KA300 T1 (HCP10303E1) • KA350 T1 (HCP10353E1) • KA450 T1 (HCP10453E1)
KA550 T1 (HCP10553E1) • KA550 T2 (011141560212)



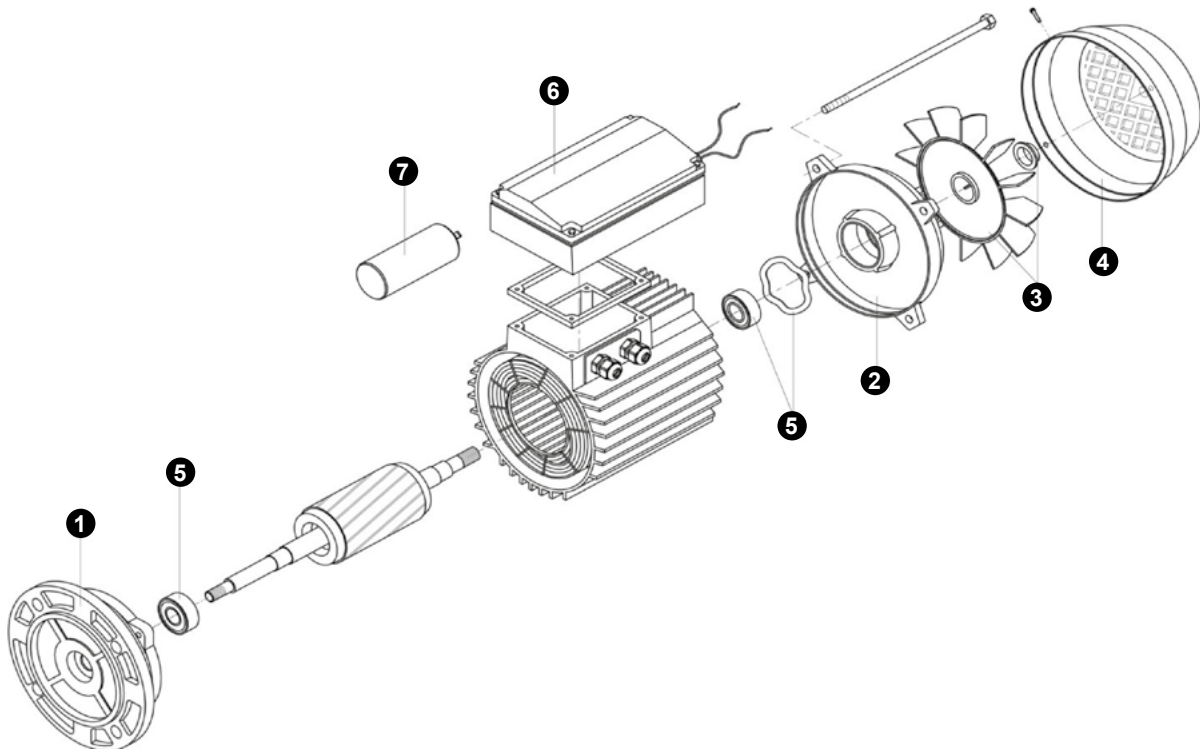


No.	Description	Quantity	Code	Part no.
7 + 8	Drain kit	10 + 10	500100000000	RPUM0007.00R
8	Pump gasket kit	1	500131160800	RPUM3116.08R
11		1		
16		1		
22		1		
24		2		
9	Flange	1	500100180000	RPUM0009.01R
10	Pump casing	1	500100100006	RPUM0010.07R
11	Diffuser O'ring	10	500100120003	RPUM0012.05R
12	Diffuser	1	500100060004	RPUM0012.05R
13 + 36 + 37	Impeller 2,50HP	1 + 1 + 1	500100070012	RPUM0013.15R
	Impeller 3,00HP	1 + 1 + 1	500100070017	RPUM0013.20R
	Impeller 3,50HP	1 + 1 + 1	500100070014	RPUM0013.17R
	Impeller 4,50HP	1 + 1 + 1	500100070018	RPUM0013.21R
	Impeller 5,50HP	1 + 1 + 1	500100070019	RPUM0013.22R
14 + 15	Mechanical seal kit	1 + 1	500114150200	RPUM1415.02R
16	Casing flange O'ring set	10	500100130003	RPUM0016.04R
17	Casing flange	1	500100080003	RPUM0017.04R
18	Pump support	1	500100090002	RPUM0018.03R
48 + 49		2 + 1		
23 + 35	Hardware kit	4 + 4	500139420400	RPUM3942.04R
32 + 33		4 + 4		
34		10		
38		6		
39		2		
42 + 43		4 + 4		
47		2		
36 + 37	Impeller screw kit	10 + 10	500100190000	RPUM3637.01R
41	Slinger	10	500100410100	RPUM0041.01R
24 + 25	Set of unions Ø 90	2 + 2	500100150000	RPUM2415.01R

NO PREFILTER PUMP FOR UP STREAM EQUIPMENT / SPAS, KARPA (HCP 1000) SERIES / ENGINE SPARE PARTS



KA250 M (HCP10251E) • KA250 T1 (HCP10253E1) • KA300 M (HCP10301E)
KA300 T1 (HCP10303E1) • KA350 T1 (HCP10353E1) • KA450 T1 (HCP10453E1)
KA550 T1 (HCP10553E1) • KA550 T2 (011141560212)



No.	For pump	Quantity	Code	Part no.
MOTOR				
-	KA 250 M	1	505000401000	RMOT5040.10R
-	KA 250 T1 KA 300 T1	1	505000313100	RMOT5041.30R
-	KA 350 T1	1	505000413000	RMOT5041.31R
-	KA 450 T1	1	505000414000	RMOT5041.40R
-	KA 550 T1	1	505000511000	RMOT5051.10R
-	KA 250 T1 IE3 KA 300 T1 IE3	1	505053413000	RMOT5341.30R
-	KA 350 T1 IE3	1	505053413100	RMOT5341.31R
-	KA 450 T1 IE3	1	505053414000	RMOT5341.40R
N° 1 MOTOR COVER-PUMP SIDE				
1	KA 250 M KA 250 T1 KA 300 T1	1	505010103000	RMOT0001.03R
	KA 300 M KA 350 T1 KA 450 T1	1	505010104000	RMOT0001.04R
	KA 250 T1 IE3 KA 300 T1 IE3 KA 350 T1 IE3 KA 450 T1 IE3	1	505010105000	RMOT0001.05R



No.	For pump	Quantity	Code	Part no.
NO 2 MOTOR COVER-FAN SIDE				
2	KA 250 M KA 250 T1 KA 300 T1	1	505010203300	RMOT0002.03R
	KA 300 M KA 350 T1 KA 450 T1 KA 250 T1 IE3 KA 300 T1 IE3	1	505010204200	RMOT0002.04R
	KA 350 T1 IE KA 450 T1 IE3	1	505010205200	RMOT0002.05R
N° 3 FAN				
3	KA 250 M KA 250 T1 KA 300 T1	1	505010303300	RMOT0003.03R
	KA 300 M KA 350 T1 KA 450 T1	1	505010304200	RMOT0003.04R
	KA 250 T1 IE3 KA 300 T1 IE3 KA 350 T1 IE3 KA 450 T1 IE3	1	505010301200	RMOT0003.01R
N° 4 FAN COVER				
4	KA 250 M KA 250 T1 KA 300 T1	1	505010403200	RMOT0004.03R
	KA 300 M KA 350 T1 KA 450 T1 KA 250 T1 IE3 KA 300 T1 IE3	1	505010404200	RMOT0004.04R
	KA 350 T1 IE3 KA 450 T1 IE3	1	505010405200	RMOT0004.05R
N° 5 BEARINGS KIT				
5	KA 250 M KA 250 T1 KA 300 T1	1	505010703000	RMOT0005.02R
	KA 300 M KA 350 T1 KA 450 T1 KA 250 T1 IE3 KA 300 T1 IE3	1	505010704000	RMOT0005.03R
	KA 350 T1 IE3 KA 450 T1 IE3	1	505010705000	RMOT0005.04R
N° 6 CONNECTION BOX				
6	KA 250 M / KA 300 M	1	505006000603	RMOT0006.03R
	KA 350 T1 KA 450 T1 KA 250 T1 IE3 KA 300 T1 IE3	1	505006000604	RMOT0006.04R
	KA 350 T1 IE3 KA 450 T1 IE3	1	505006000606	RMOT0006.06R

No.	Description	For pump	Quantity	Code	Part no.
N° 7 CAPACITOR					
7	Wired capacitor 30 µF	KA 250 M	1	505010602100	RBM1060.21R
	Wired capacitor 36 µF	KA 300 M	1	505010603000	RBM1060.30R
	Faston capacitor 30 µF	KA 250 M	1	505010612100	RBM1061.21R
	Faston capacitor 36 µF	KA 300 M	1	505010613000	RBM1061.30R