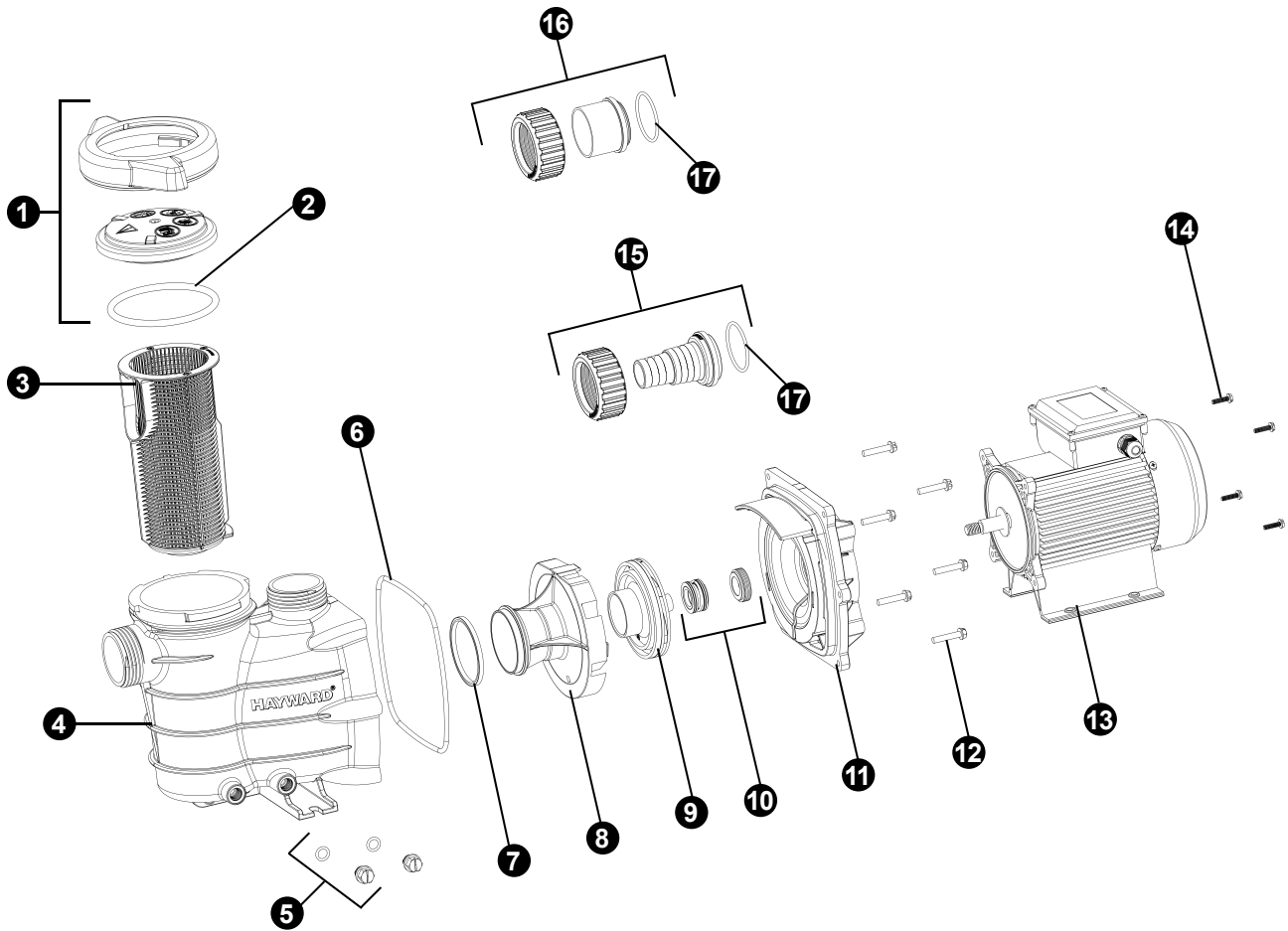




SMALL PUMP FOR OUTSTANDING RESULTS, POWER FLO II



SP8102XE31 • SP8103XE61 • SP8105XE81 • SP8107XE111 • SP8110XE161 •
SP8115XE221





No.	Description	Quantity	Code	
1	Strainer cover	1	SPX8100LDS	
2	Strainer cover O'ring	1	SPX8100S	
3	Strainer basket	1	SPX8100M	
4	Pump Housing/Strainer	1	SPX8100AA	
5	Drain Plug	2	SPX1700FG	
6	Housing gasket	1	GMX0600F	
7	Diffuser gasket	1	SPX8100R	
8	Diffuser	1	SPX8100B	
9	Impeller			
	SP8102XE31	1	SPX8118T	
	SP8103XE61	1	SPX8125T	
	SP8105XE81	1	SPX8137T	
	SP8107XE111	1	SPX8155T	
	SP8110XE161	1	SPX8175T	
9	SP8115XE221	1	SPX81110T	
	10	Seal assembly	1	SPX1600Z2
	11	Seal plate	1	SPX8100E
12	Housing bolt	6	6060XZ1	
13	Motor			
	SP8102XE31	1	SPX81018Z1C	
	SP8103XE61	1	SPX81025Z1C	
	SP8105XE81	1	SPX81037Z1C	
	SP8107XE111	1	SPX81055Z1C	
	SP8110XE161	1	SPX81075Z1C	
13	SP8115XE221	1	SPX81110Z1C	
	14	Motor bolt	4	SPX8100Z1
15	Union connector kit 32/38mm	2	SPX8100UNBPAK	
16	Union connector kit 50mm	2	SPX8100UNSPAK	
17	Union gasket	2	SPX8100UNO	
2 + 6 + 7 + 10	Set of gaskets	1	SPX8100GS	
18	Capacitor			
	SP8102XE31	1	SPX8100Z1CCA1	
	SP8103XE61	1	SPX8100Z1CCA1	
	SP8105XE81	1	SPX8100Z1CCA2	
	SP8107XE111	1	SPX8100Z1CCA2	
	SP8110XE161	1	SPX8100Z1CCA2	
18	SP8115XE221	1	SPX8100Z1CCA3	
	19	Junction box assembly		
SP8102XE31		1	SPX8100Z1CWBG1	
SP8103XE61		1	SPX8100Z1CWBG1	
SP8105XE81		1	SPX8100Z1CWBG1	
SP8107XE111		1	SPX8100Z1CWBG1	
SP8110XE161		1	SPX8100Z1CWBG1	
19	SP8115XE221	1	SPX8100Z1CWBG2	
	20	Fan cover + Fan SP8102XE31-SP8103XE61-SP8105XE81-SP8107XE111-SP8110XE161-SP8115XE221	1	SPX8100Z1CECF