

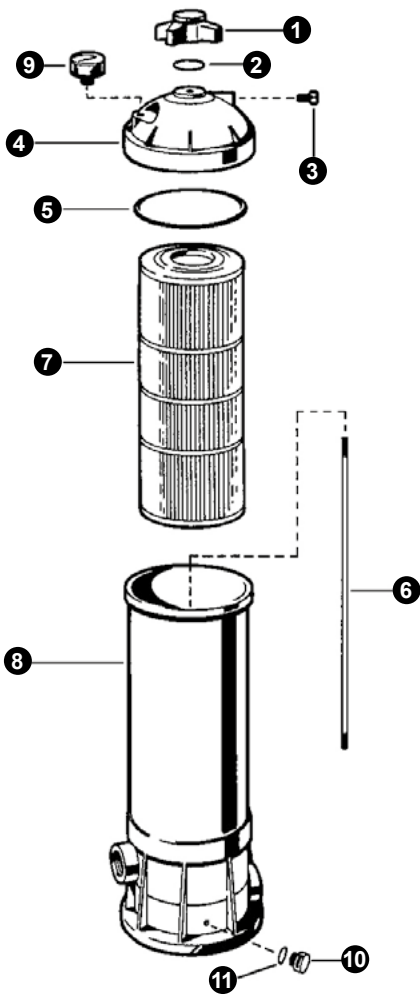


# STAR CLEAR™ / STAR CLEAR™ PLUS CARTRIDGE FILTERS

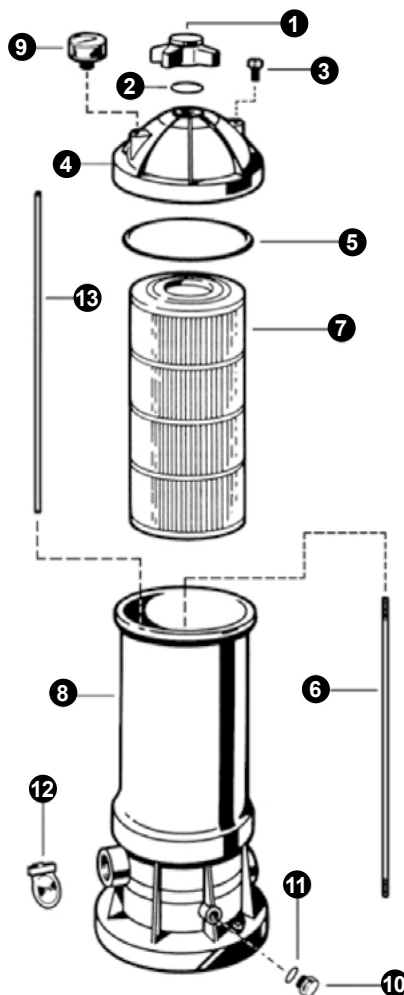


C250 • C500 • C750 • C800 • C1100 • C1500 • C751 • C9002 • C12002 • C17502

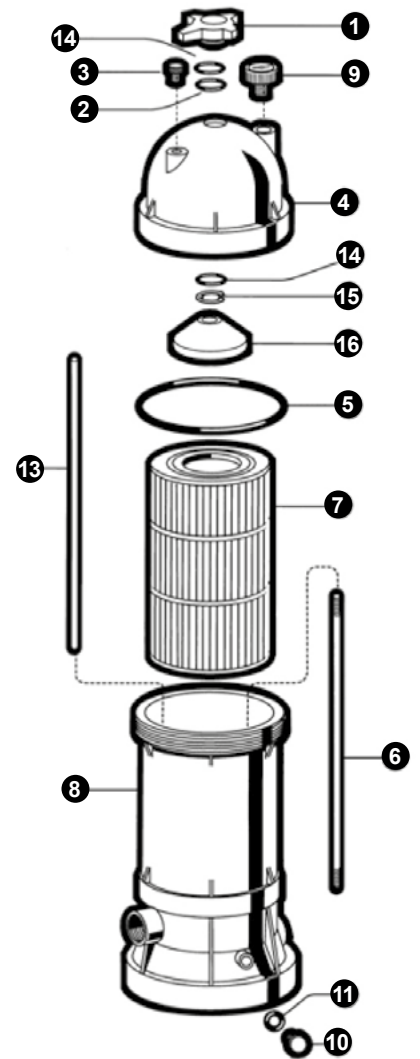
STAR CLEAR™ I  
C250, C500, C750



STAR CLEAR™ II  
C800, C1100, C1500



STAR CLEAR™ PLUS  
C751, C9002, C12002, C17502





No.	Description	Quantity	Code
1	Locking Knob C0250 / C0500 / 0750	1	CX250G
	C0800 / C1100 / C1500	1	CX800G
	C09002 / C12002	1	CX900G
	C17502	1	CX1750G
2	O'ring C0250 / C0500 / C0750 / C0800 / C1100 / C1500	1	CX250Z7
	C09002 / C12002 / C17502	1	CX900H
3	Air relief valve with O'ring C0800 / C1100 / C1500 / C09002 / C12002 / C17502	1	ECX1322A
4	Filter Lid C0250 / C0500 / C0750	1	CX250C
	C0800 / C1100 / C1500	1	CX800C
	C09002	1	CX900B
	C12002	1	CX1200B
	C17502	1	CX1750B
5	Filter Lid Gasket C0250 / C0500 / C0750	1	CX250F
	C0800 / C1100 / C1500	1	CX800F
	C09002 / C12002 / C17502	1	CX900F
6	Tie rod C0250	1	CX250Z2S*
	C0500	1	CX500Z2S
	C0750	1	CX750Z2S*
	C0800	1	CX800Z2
	C1100	1	CX1100Z2
	C09002	1	CX800Z2
	C12002	1	CX1100Z2
	C17502	1	CX1750Z2
7	Cartridge Element C0250	1	CX250RE
	C0500	1	CX500RE
	C0750	1	CX750RE
	C0800	1	CX800RE
	C1100	1	CX1100RE
	C09002	1	CX900RE
	C12002	1	CX1200RE
	C17502	1	CX1750RE
8	Filter tank body w/Tie rod assembly C0250	1	CX250AA1*
	C0500	1	CX500AA1*
	C0750	1	CX750AA1
9	Pressure Gauge	1	ECX2712B1
10	½ Drain clamp	1	CX250Z14A
11	Drain Plug O'ring	1	SPX0605Z2V*
12	Check valve (optional) C0800 / C1100 / C1500	1	CX800HA
13	Auto air relief tube C0800 / C09002	1	CX800Z4
	C1100 / C12002	1	CX1100Z4
	C17502	1	CX1750Z4
14	Washer (x2) C09002 / C12002 / C17502	1	CX900WPAK2
15	Circlip C09002 / C12002 / C17502	1	CX900J
16	Guide Cone C09002 / C12002 / C17502	1	CX900D

\*Limited quantity available.