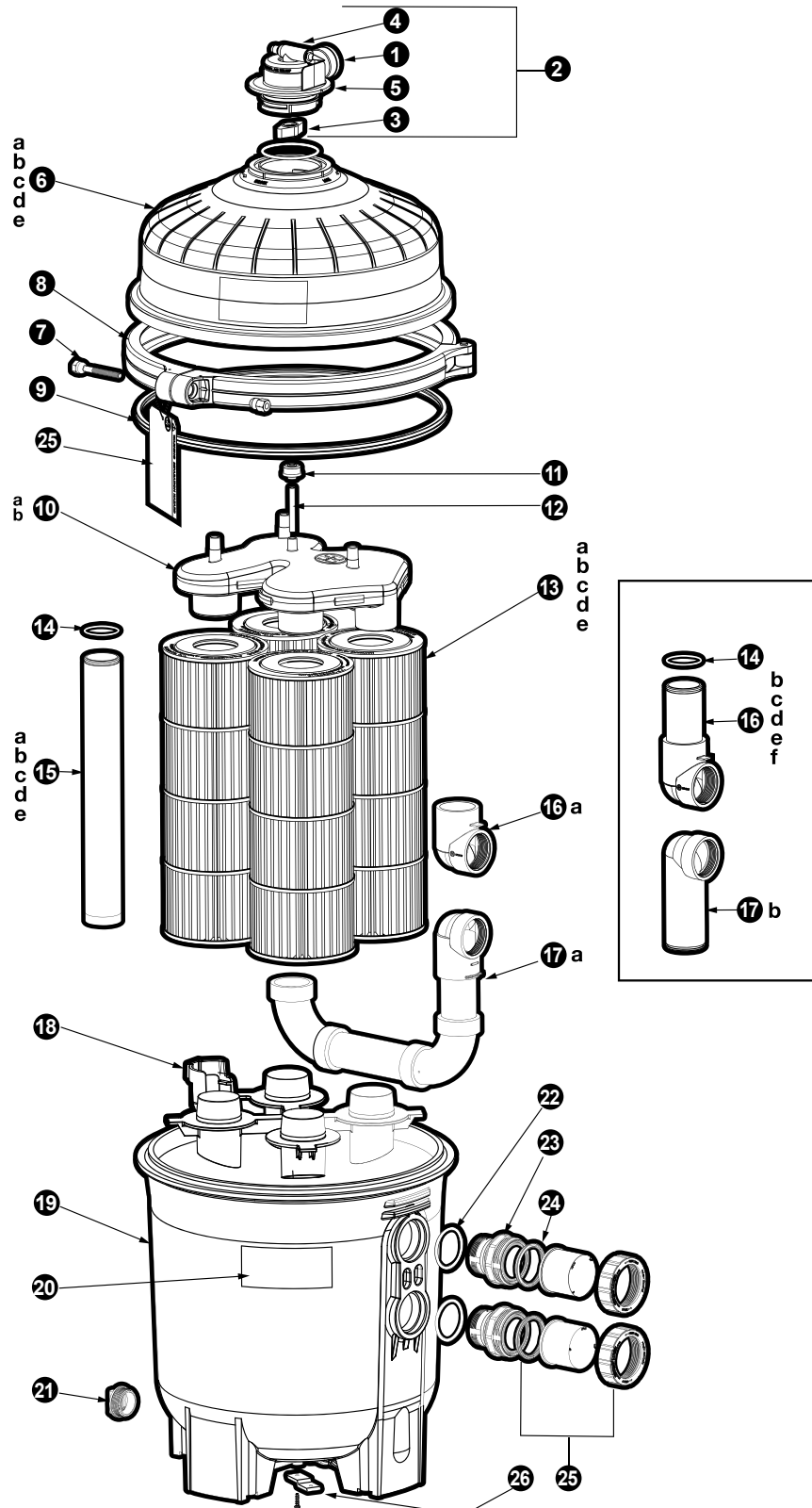




SWIMCLEAR™ CARTRIDGE FILTERS



C3030 • C4030 • C5030 • C7030





No.	Description	Quantity	Code
1	Manometer	1	ECX2712B1
2	O'ring Kit (x2)		DEX2420Z8A
3	Air Relief Valve Nut	1	CCX1000N
4	Manual Air Relief with O'ring	1	CCX1000V
5	Manual Air Relief Assembly	1	DEX2420MAR2
6a	Upper Filter Body + Clamp (C2030)	1	DEX2420BTC
6b	Upper Filter Body + Clamp (C3030)	1	DEX3620BTC
6c	Upper Filter Body + Clamp (C4030)	1	DEX4820BTC
6d	Upper Filter Body + Clamp (C5030)	1	DEX6020BTC
6e	Upper Filter Body + Clamp (C7030)	1	DEX7220BTC
7	Clamp Bolt & Nut	1	DEX2421J2
8	Clamp System	1	DEX2421JKIT
9	Metal Reinforced Seal	1	DEX2422Z2
10a	Top Manifold (C2030, C3030, C4030)	1	CX3030C
10b	Top Manifold (C5030, C7030)	1	CX5030C
11	Air Relief Filter	1	CX3000J1
12	Air Relief Tube	1	CX2030Z3
13a	Cartridge Element (C2030)	4	CX481XRE
13b	Cartridge Element (C3030)	4	CX580XRE
13c	Cartridge Element (C4030)	4	CX880XRE
13d	Cartridge Element (C5030)	4	CX1280XRE
13e	Cartridge Element (C7030)	4	CX591XRE
-	Cartridge connector (C7030)	1	CX7020M
14	O'ring	1	DEX2400Z5
15a	Outlet pipe (C2030)	1	CX3031F6
15b	Outlet pipe (C3030)	1	CX3031F7
15c	Outlet pipe (C4030)	1	CX3031F8
15d	Outlet pipe (C5030)	1	CX3031F9
15e	Outlet pipe (C7030)	1	CX3031F10
16a	Inlet Elbow (09/2012 ->)	1	CX3030F
16b	Inlet Elbow with Pipe (C2030) (-> 09/2012)	1	CX3031F1
16c	Inlet Elbow with Pipe (C3030) (-> 09/2012)	1	CX3031F2
16d	Inlet Elbow with Pipe (C4030) (-> 09/2012)	1	CX3031F3
16e	Inlet Elbow with Pipe (C5030) (-> 09/2012)	1	CX3031F4
16f	Inlet Elbow with Pipe (C7030) (-> 09/2012)	1	CX3031F5
17a	Inlet pipe (09/2012 ->)	1	CX3030H
17b	Outlet Elbow with Pipe (-> 09/2012)	1	CX3020FB
18	Bottom Seal Plate	1	CX3030D
19	Lower Filter Body	1	DEX2420ATC
21	1½" Drain Plug with O'ring	1	SP1022CBLK
22	O'ring	1	SX0220Z2
23	Bulkhead Fitting	1	CX3035F
24	Union Gasket (T-seal) (x2)	1	SPX3200UG
25	Union Connection Kit (50mm)	1	SP2700UNKIT50
	Union Connection Kit (63mm)	1	SP3200UNKIT63