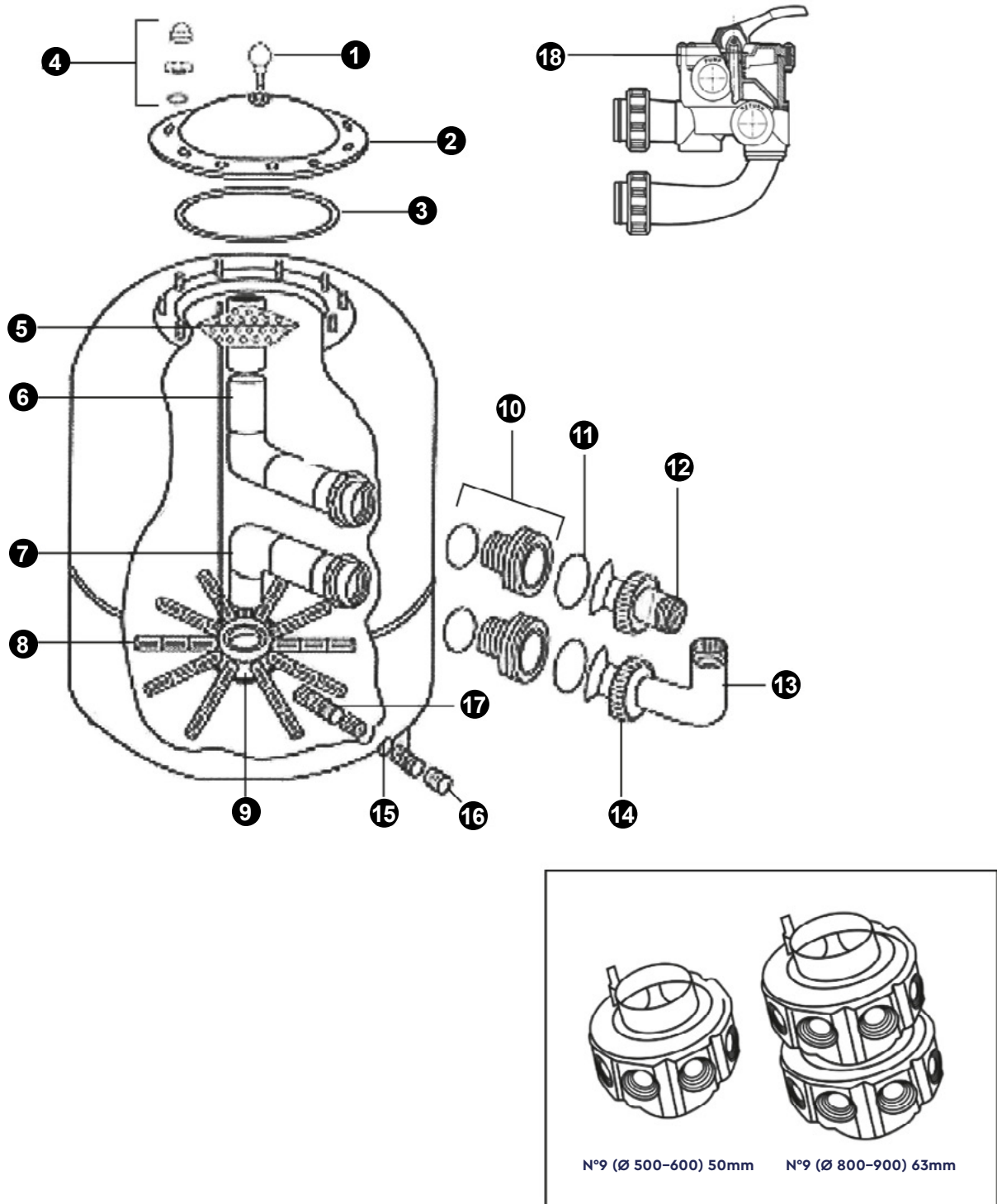




LAMINATED POLYESTER FILTER, S1 SERIES

KRIPSOL

S1-500SIDE • S1-600SIDE • S1-800SIDE • S1-900SIDE





No.	Description	Quantity	Code
1	Pressure Gauge		NCX12008
2	Lid		NCX12001
3	Lid O'Ring		NCX12005
4	Nut		NCX12027
5	Top Diffuser (Ø 500-600)		NCX12022
	Top Diffuser (Ø 800-900)		NCX12023
6	Top elbow (Ø 500)		NCX12056
	Top elbow (Ø 600)		NCX12058
	Top elbow (Ø 800)		NCX12060
	Top elbow (Ø 900)		NCX12062
7	Bottom elbow (Ø 500)		NCX12057
	Bottom elbow (Ø 600)		NCX12059
	Bottom elbow (Ø 800)		NCX12061
	Bottom elbow (Ø 900)		NCX12063
8	Lateral 140mm (X4)		NCX12018
	Lateral 200mm (X4)		NCX12019
9	Collector with purge tube 50mm (Ø 500-600)		NCX12024
	Collector with purge tube 63mm (Ø 800-900)		NCX12025
10	Bulkhead fitting 50mm (Ø 500-600)		NCX12014
	Bulkhead fitting 63mm (Ø 780-900)		NCX12015
11	Bulkhead fitting O'Ring 50mm (Ø 500-600)		NCX12038
	Bulkhead fitting O'Ring 63mm (Ø 780-900)		NCX12046
12	Conical fitting 1,5" (Ø 500-600)		NCX2312059
	Conical fitting 2" (Ø 780-900)		NCX2312061
13	Elbow complete 1,5" (Ø 500-600)		NCX2312062
	Elbow complete 2" (Ø 780-900)		NCX2312063
14	Nut E/S 1.5"		NCX2312058
	Nut E/S 2"		NCX2312060
15	Through wall		NCX12013
16	Drain point full		NCX12011
17	Drain sleeve		NCX12050

Please note

Filter (Ø 500) included 8 pieces with laterals 140mm.

Filter (Ø 600) included 8 pieces with laterals 200mm.

Filter (Ø 800) included 8 pieces with laterals 140mm + included 8 pieces with laterals 200mm.

Filter (Ø 900) included 8 pieces with laterals 200mm.