

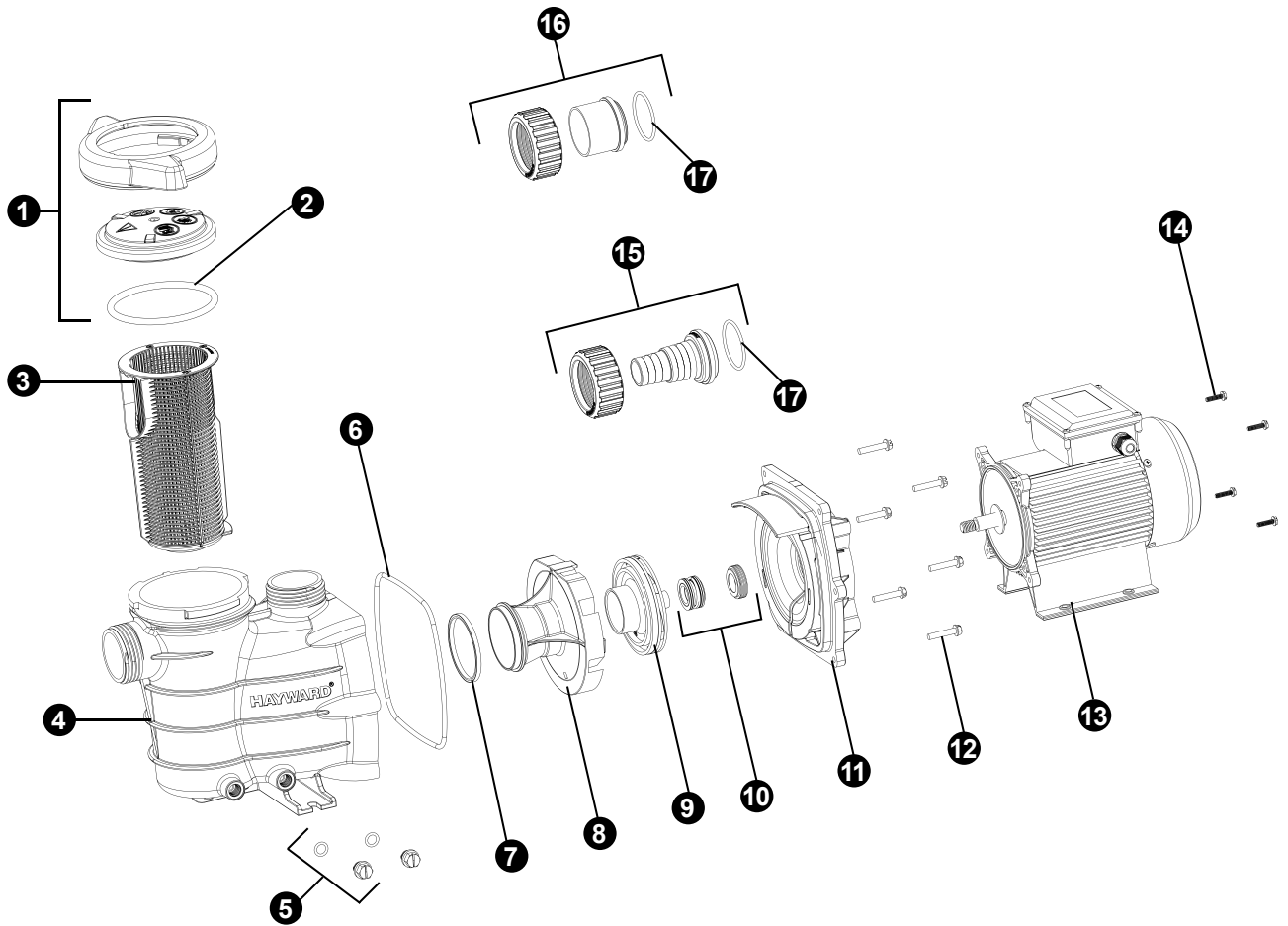


# SMALL PUMP FOR OUTSTANDING RESULTS, POWER FLO II



SP8102XE31 • SP8103XE61 • SP8105XE81 • SP8107XE111 • SP8110XE161 • SP8115XE221

POOL PUMPS





No.	Description	Quantity	Code
1	Strainer cover	1	SPX8100LDS
2	Strainer cover O'Ring	1	SPX8100S
3	Strainer basket	1	SPX8100M
4	Pump Housing/Strainer	1	SPX8100AA
5	Drain Plug	2	SPX1700FG
6	Housing gasket	1	GMX0600F
7	Diffuser gasket	1	SPX8100R
8	Diffuser	1	SPX8100B
9	Impeller		
	SP8102XE31	1	SPX8118T
	SP8103XE61	1	SPX8125T
	SP8105XE81	1	SPX8137T
	SP8107XE111	1	SPX8155T
	SP8110XE161	1	SPX8175T
9	SP8115XE221	1	SPX81110T
10	Seal assembly	1	SPX1600Z2
11	Seal plate	1	SPX8100E
12	Housing bolt	6	6060XZ1
13	Motor		
	SP8102XE31	1	SPX81018Z1C
	SP8103XE61	1	SPX81025Z1C
	SP8105XE81	1	SPX81037Z1C
	SP8107XE111	1	SPX81055Z1C
	SP8110XE161	1	SPX81075Z1C
13	SP8115XE221	1	SPX81110Z1C
14	Motor bolt	4	SPX8100Z1
15	Union connector kit 32/38 mm	2	SPX8100UNBPAK
16	Union connector kit 50 mm	2	SPX8100UNSPAK
17	Union gasket	2	SPX8100UNO
2 + 6 + 7 + 10	Set of gaskets	1	SPX8100GS
18	Capacitor		
	SP8102XE31	1	SPX8100Z1CCA1
	SP8103XE61	1	SPX8100Z1CCA1
	SP8105XE81	1	SPX8100Z1CCA2
	SP8107XE111	1	SPX8100Z1CCA2
	SP8110XE161	1	SPX8100Z1CCA2
18	SP8115XE221	1	SPX8100Z1CCA3
19	Junction box assembly		
	SP8102XE31	1	SPX8100Z1CWBG1
	SP8103XE61	1	SPX8100Z1CWBG1
	SP8105XE81	1	SPX8100Z1CWBG1
	SP8107XE111	1	SPX8100Z1CWBG1
	SP8110XE161	1	SPX8100Z1CWBG1
19	SP8115XE221	1	SPX8100Z1CWBG2
20	Fan cover + Fan SP8102XE31-SP8103XE61-SP8105XE81-SP8107XE111-SP8110XE161-SP8115XE221	1	SPX8100Z1CECF