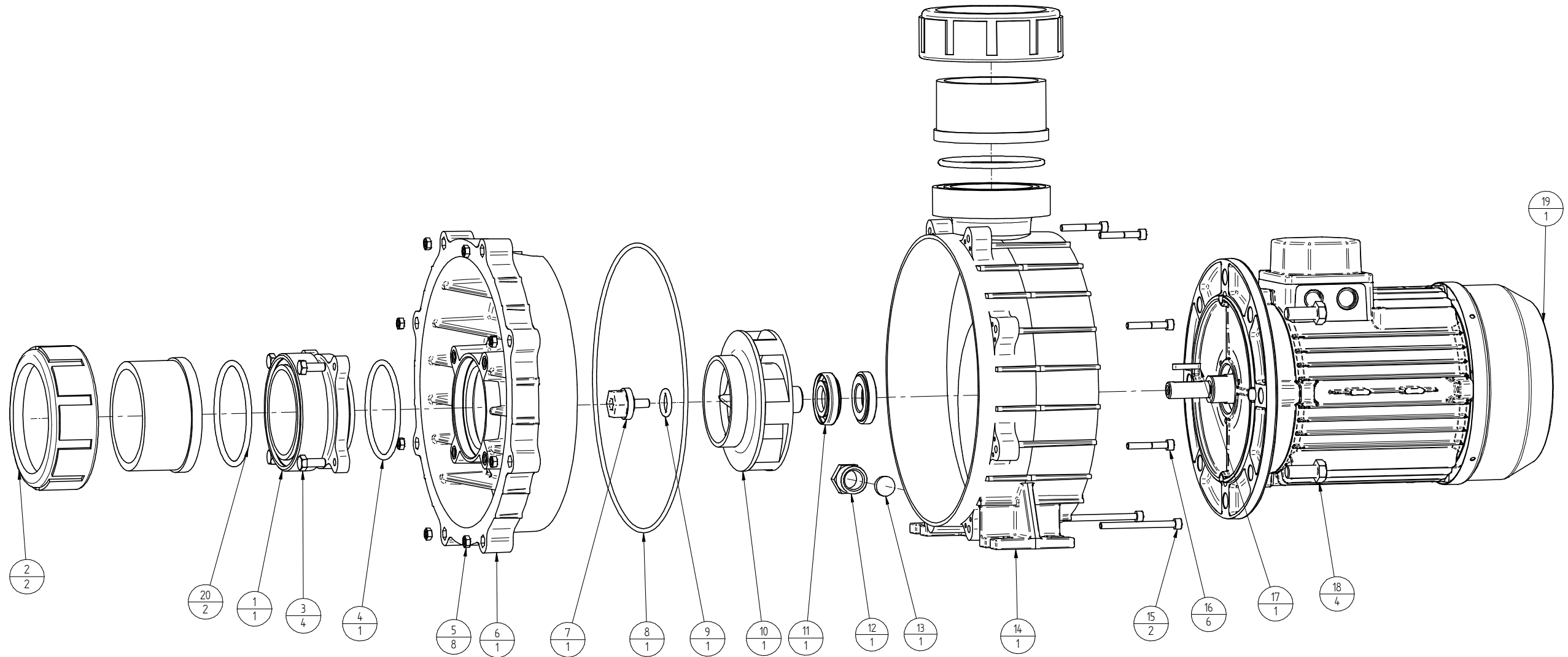


BRAVUS



1. SUCTION FITTING

2. FITTING KIT

3. SCREW DIN.933 M8x20

4. Oring 86 x 5

5. NUT DIN.934 M6

6. PUMP BODY COVER

7. IMPELLER PLUG

8. Oring 270 x 4

9. Oring 18 x 4,5

10. IMPELLER

11. MECHANIC SEAL D27

12. DRAIN PLUG 1/2'

13. FLAT SEAL DRAIN PLUG

14. PUMP BODY

15. SCREW DIN.912 M6x75

16. SCREW DIN.912 M6x40

17. KEY DIN.6885 5x5x28

18. SCREW DIN.933 M12x30

19. MOTOR IE3 2850rpm

20. Oring 91,44 x 5,33