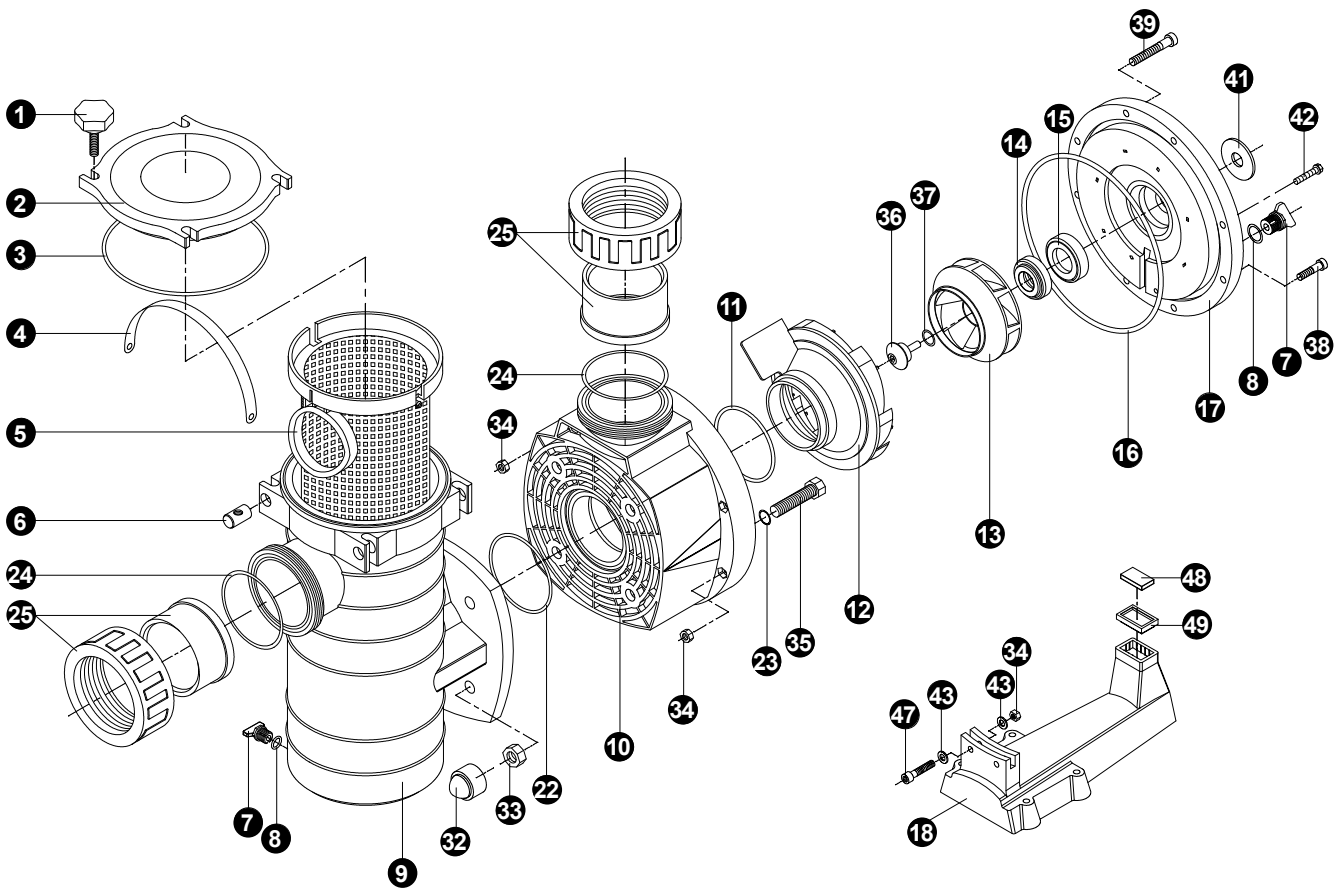




HIGH-PERFORMANCE PUMP FOR RESIDENTIAL POOLS, KAPRI (HCP 3800) SERIES



KAP250 M (HCP38251E) • KAP250 T1 (HCP38253E1) • KAP300 M (HCP38301E)
KAP300 T1 (HCP38303E1) • KAP350 T1 (HCP38353E1) • KAP450 T1 (HCP38453E1) • KAP550 T1 (HCP38553E1)



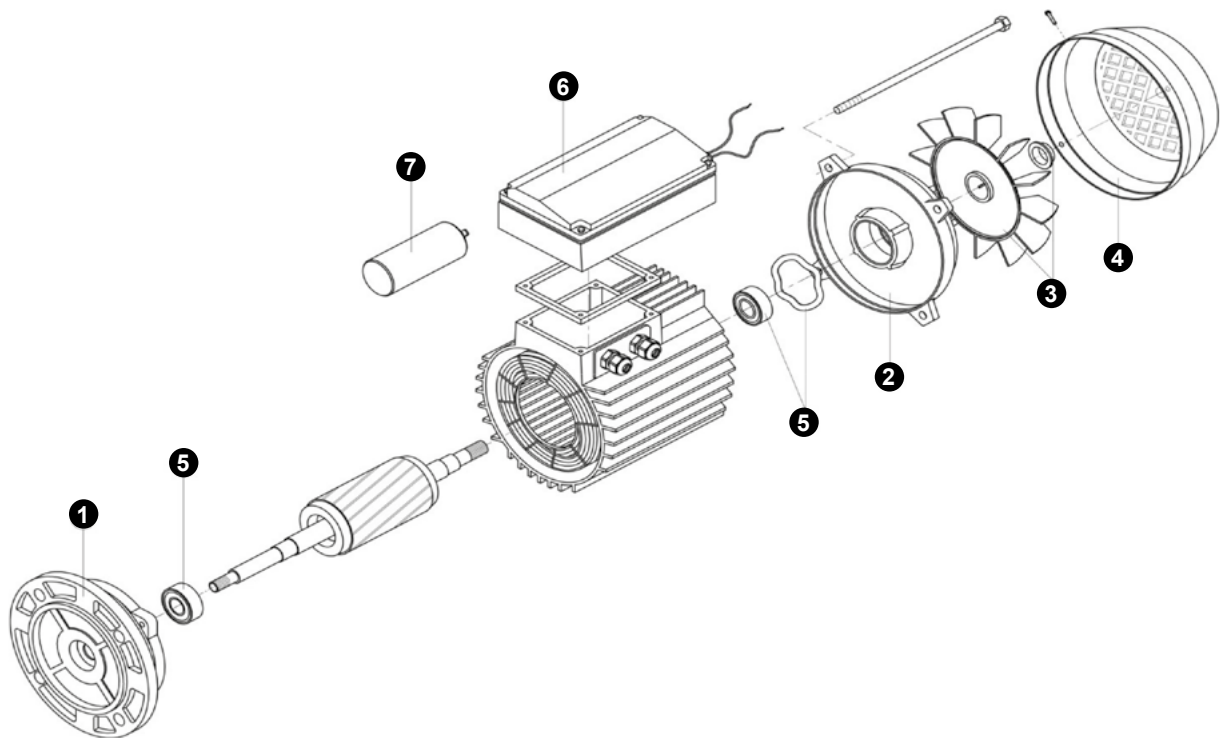


No.	Description	Quantity	Code
1 + 6	Swivel nut + Hand knob	4	500100010003
2 + 3	Strainer cover	1	500100020005
3	Strainer cover O'ring	10	500100110005
3	Set of gaskets	1	500131160700
8		2	
11		1	
16		1	
22		1	
24	2		
4 + 5	Strainer basket	1	500100030005
6	Swivel nut	10	500100160000
7 + 8	Drain Plug	10	500100000000
9	Strainer	1	500100140006
10	Pump Housing	1	5001001000256
11	Diffuser gasket	10	500100120003
12	Diffuser	1	500100060004
13 + 36 + 37	Impeller HCP3825	1	500100070012
	HCP3830	1	500100070013
	HCP3835	1	500100070014
	HCP3845	1	500100070015
	HCP38553E1	1	500100070016
14 + 15	Seal set	1	500114150200
16	Housing gasket	10	500100130003
17	Seal plate	1	500100080003
18	Motor support	1	500100090002
48 + 49		2	
23 + 35	Screw set	4	500139420400
32 + 33		4	
34		10	
38		6	
39		2	
42 + 43		4	
47		2	
36 + 37	Impeller screw	10	500100190000
41	Slinger	10	500100410100
24 + 25	Union connector kit 90 mm	2	500100150000
	Union connector kit 3" ANSI	2	500100150001

HIGH-PERFORMANCE PUMP FOR RESIDENTIAL POOLS, KAPRI (HCP 3800) SERIES / ENGINE SPARE PARTS



KAP250 M (HCP38251E) • KAP250 T1 (HCP38253E1) • KAP300 M (HCP38301E)
KAP300 T1 (HCP38303E1) • KAP350 T1 (HCP38353E1) • KAP450 T1 (HCP38453E1) • KAP550 T1 (HCP38553E1)



No.	Pump Model	Quantity	Code	
No. 1 MOTOR COVER PUMP SIDE				
1	HCP38253E1 (2,5 HP MEC 80) HCP38303E1 (3 HP MEC 80)	1	505010103000	
	HCP38253E (2,5 HP MEC 90) HCP38303E (3 HP MEC 90) HCP38301E (3 HP MEC 90) HCP38353E1 (3,5 HP MEC 90) HCP38453E1 (4,5 HP MEC 90)	1	505010104000	
	HCP38353E (3,5 HP MEC 100) HCP38453E (4,5 HP MEC 100)	1	505010105000	
	No. 2 MOTOR COVER FAN SIDE			
	HCP38253E1 (2,5 HP MEC 80) HCP38303E1 (3 HP MEC 80) HCP38251E (2,5 HP MEC 90)		505010203300	
	HCP38253E (2,5 HP MEC 90) HCP38303E (3 HP MEC 90) HCP38301E (3 HP MEC 90) HCP38353E1 (3,5 HP MEC 90) HCP38453E1 (4,5 HP MEC 90)		505010204200	
HCP38353E (3,5 HP MEC 100) HCP38453E (4,5 HP MEC 100)		505010205200		



No.	Pump Model	Quantity	Code	
No. 3 FAN				
3	HCP38253E1 (2,5 HP MEC 80) HCP38303E1 (3 HP MEC 80) HCP38251E (2,5 HP MEC 90)	1	505010303300	
	HCP38253E (2,5 HP MEC 90) HCP38301E (3 HP MEC 90) HCP38353E1 (3,5 HP MEC 90) HCP38453E1 (4,5 HP MEC 90) HCP38453E (4,5 HP MEC 100)	1	505010304200	
		1	505010305200	
	No. 4 FAN COVER			
	4	HCP38253E1 (2,5 HP MEC 80) HCP38303E1 (3 HP MEC 80) HCP38251E (2,5 HP MEC 90)	1	505010403200
		HCP38253E (2,5 HP MEC 80) HCP38303E (3 HP MEC 90) HCP38301E (3 HP MEC 90) HCP38353E1 (3,5 HP MEC 90) HCP38453E1 (4,5 HP MEC 90)	1	505010404200
HCP38353E (3,5 HP MEC 100) HCP38453E (4,5 HP MEC 100)		1	505010405200	
No. 5 BEARINGS KIT				
5		HCP38253E1 (2,5 HP MEC 80) HCP38303E1 (3 HP MEC 80) HCP38251E (2,5 HP MEC 90)	1	505010703000
		HCP38253E (2,5 HP MEC 90) HCP38303E (3 HP MEC 90) HCP38301E (3 HP MEC 90) HCP38353E1 (3,5 HP MEC 90) HCP38453E1 (4,5 HP MEC 90)	1	505010704000
		HCP38353E (3,5 HP MEC 100) HCP38453E (4,5 HP MEC 100)	1	505010705000
		No. 6 CONNECTION BOX		
	6	HCP38251E (2,5 HP MEC 80) HCP38253E (2,5 HP MEC 90) HCP38253E1 (2,5 HP MEC 90) HCP38303E (3HP MEC 90) HCP38303E1 (3 HP MEC 90)	1	505006000603
		HCP38353E1 (3,5 HP MEC 90) HCP38453E1 (4,5 HP MEC 90)	1	505006000604
		HCP38301E (3 HP MEC 90)	1	505006000605
		HCP38353E (3,5 HP MEC 100) HCP38453E1 (4,5 HP MEC 90)	1	505006000606
		No. 7 CAPACITOR		
7		HCP38251E (2,5 HP 90–30 µF) Faston	1	505010612100
		HCP38301E (3 HP 90–36 µF) Faston	1	505010613000
		HCP38251E (2,5 HP – 90–30 µF) Wired	1	505010602100
		HCP38301E (3 HP – 90–36 µF) Wired	1	505010603000
COMPLETE MOTOR				
	HCP3800 KAP 250 Single phase motor	1	505000401000	
	HCP3800 KAP 250 Three phase motor / T1	1	505000313100	
	HCP3800 KAP 250 Three phase motor / T1 IE3	1	505053413000	
	HCP3800 KAP 300 Single phase motor	1	505000402100	
	HCP3800 KAP 300 Three phase motor / T1	1	505000313100	
	HCP3800 KAP 300 Three phase motor / T1 IE3	1	505053413000	
	HCP3800 KAP 350 Three phase motor / T1	1	505000413000	
	HCP3800 KAP 350 Three phase motor / T1 IE3	1	505053413100	
	HCP3800 KAP 450 Three phase motor / T1	1	505000414000	
	HCP3800 KAP 450 Three phase motor / T1 IE3	1	505053414000	
	HCP3800 KAP 550 Three phase motor / T1	1	505000511000	
	HCP3800 KAP 550 Three phase motor / T2	1	505000521000	