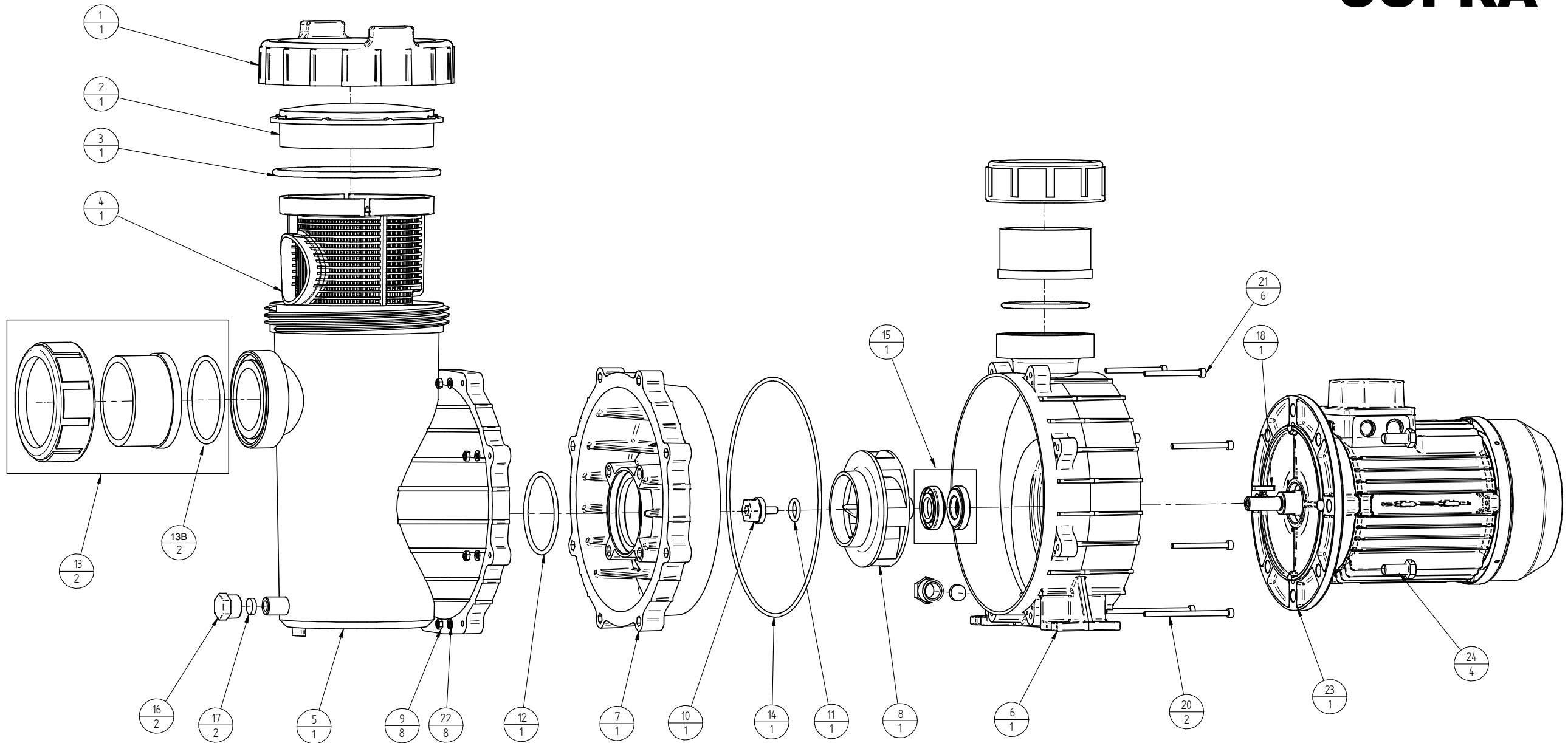


# SUPRA



- 1. SCREED RING PREFILTER COVER SUPRA**
- 2. PREFILTER COVER SUPRA**
- 3. PREFILTER COVER O-RING (180.98x6.99)**
- 4. PREFILTER BASKET SUPRA**
- 5. PREFILTER BODY SUPRA**
- 6. PUMP BODY SUPRA**
- 7. PUMP BODY COVER SUPRA**
- 8. IMPELLER SUPRA**
- 9. ANTIBLOCKING NUT DIN.982 M6 A2**

- 10. IMPELLER PLUG SUPRA M8x20 A2**
- 11. IMPELLER PLUG O-RING SUPRA (18x4.5)**
- 12. PREFILTER PUMP BODY COVER O-RING (84.2x5.7)**
- 13. RACORDS KIT PVC D.90**
- 13B. RACORD O-RING (91.44x5.33)**
- 14. PUMP BODY COVER O-RING (266.07x5.33)**
- 15. MECHANICAL SEAL SUPRA D.27**
- 16. DRAIN STOPPER SUPRA 1/2"**
- 17. DRAIN STOPPER JOINT**

- 18. PIN DIN.6885 (5x5x30) AISI-316L**
- 20. SCREW DIN.933 M6x120 A2**
- 21. SCREW DIN.933 M6x80 A2**
- 22. WASHER DIN.125 M6 A2**
- 23. MOTOR IE3 2850rpm**
- 24. SCREW DIN.933 M12x30 A2**
- 25. PUMP FOOT MEC80**
- 26. PUMP FOOT PIN**